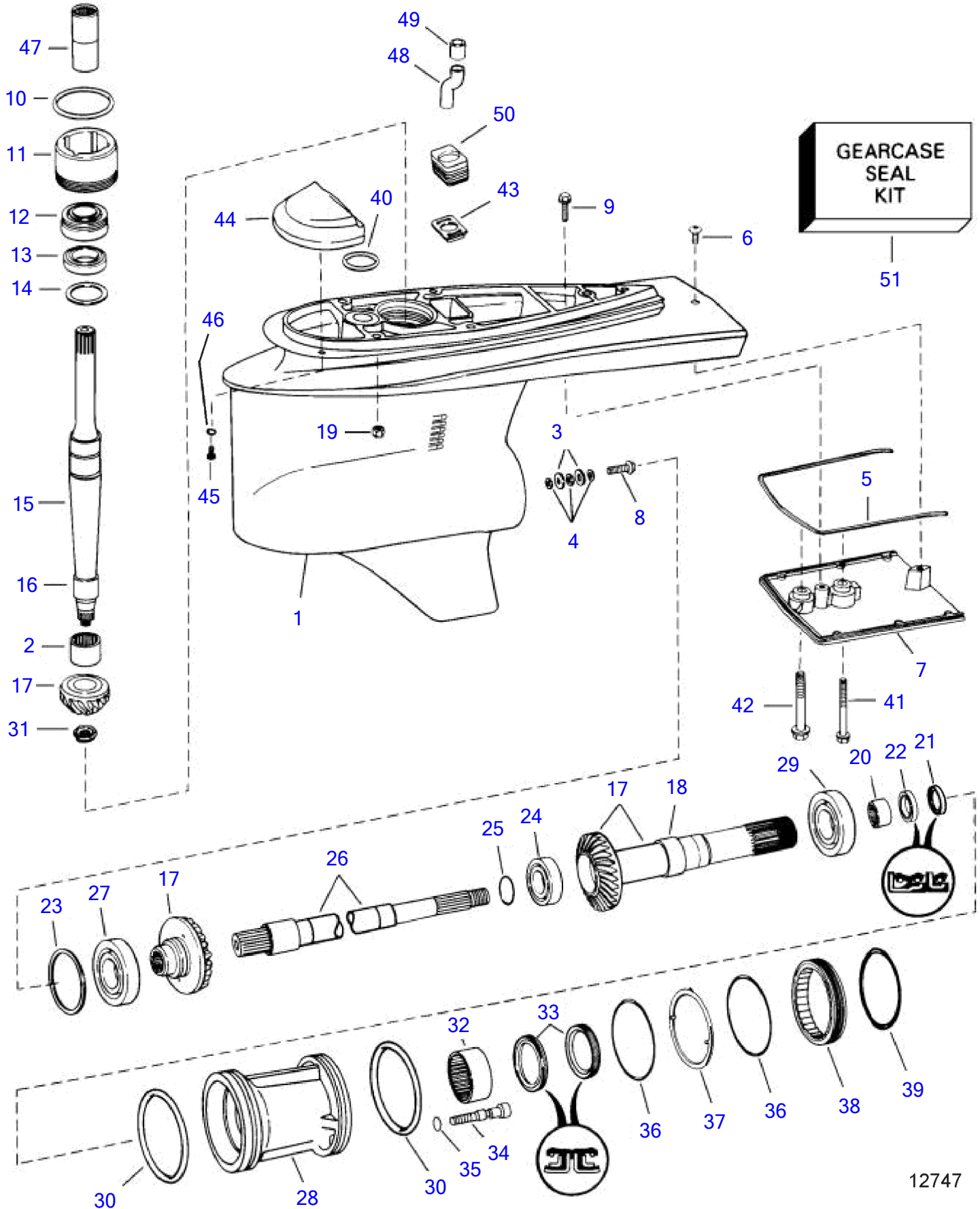


DP-S



DP-S

REF	PART NO.	QTY	DESCRIPTION	SEE SEC.	NOTES
1	3855906	1	Lower gear, 1.68		Not shown
	3801182	1	Lower gear, exch, 1.68, exch		Not shown
	3855907	1	Lower gear, 1.78		Not shown
	3801183	1	Lower gear, exch, 1.78, exch		Not shown
	3855908	1	Lower gear, 1.95		Not shown
	3855909	1	Lower gear, 2.30		Not shown
	3803268	1	Lower gear, exch, 2.30, exch		Not shown
	3855514	1	• Housing		
2	184654	1	• • Needle roller bushin, lower vertical drive skaft		
3	854096	2	• • Magnet, lower gearcase		
4	955893	3	• • Washer, magnet, lower gearcase		
5	3854898	1	• • Sealing, lower gearcase		Part of gearcase kit
6	3855004	1	• • 6 point socket screw, exhaust cover to gearcase, rear		
7	3855544	1	• • Cover, gearcase housing		
8	3855578	1	• • Screw, magnet, lower gearcase		
9	3855819	1	• • Flange screw, exhaust cover to gearcase, front		
10	3852866	1	• O-ring, gearcase to upper gear hsg		Part of gearcase seal kit
11	3855636	1	• Retainer, bearing, lower vertical driveshaft		
12	3854250	1	• Roller bearing, upper driveshaft		
13	3854249	1	• Roller bearing, lower driveshaft		
14	3852889	X	• Shim, pinion position, 0.003 in		
	3852890	X	• Shim, pinion position, 0.004 in		
	3852891	X	• Shim, pinion position, 0.005 in		
	3852892	X	• Shim, pinion position, 0.010 in		
15	3855492	1	Countershaft, vertical		
16	184682	1	• Inner ring		
17	3851299	1	Gear, .68:1 (18:29)		
	3851304	1	Gear, .78:1 (17:29)		
	3851309	1	Gear, .95:1 (16:30)		
	3851314	1	Gear, 2.30:1 (14:31)		
18	184683	1	• Inner ring, brg, outer propshaft to brg hsg		
19	941885	4	• Lock nut, stud, gearcase to gear hsg		
20	183272	1	• Needle roller bearin, needle, outer prop skaft		
21	853807	1	• Sealing ring, inner to outer propshaft, rear		Part of gearcase seal kit
22	853808	1	• Sealing ring, inner to outer propshaft, forward		Part of gearcase seal kit
23	(3855008)	X	• Shim, 0.002 in., brg, gear, inner propshaft		Obsolete part
	(3855071)	X	• Shim, 0.003 in., brg, gear, inner propshaft		Obsolete part
	(3855009)	X	• Shim, 0.004 in., brg, gear, inner propshaft		Obsolete part
	(3855072)	X	• Shim, 0.005 in., brg, gear, inner propshaft		Obsolete part
	(3855010)	X	• Shim, 0.006 in., brg, gear, inner propshaft		Obsolete part
	(3855011)	X	• Shim, 0.008 in., brg, gear, inner propshaft		Obsolete part
	(3855073)	X	• Shim, 0.010 in., brg, gear, inner propshaft		Obsolete part
	(3855012)	X	• Shim, 0.016 in., brg, gear, inner propshaft		Obsolete part
24	184691	1	• Roller bearing, inner propshaft to gear		
25	(3855796)	X	• Shim, 0.002 in., brg, gear, outer propshaft		Obsolete part
	(3855797)	X	• Shim, 0.003 in., brg, gear, outer propshaft		Obsolete part
	3855798	X	• Shim, 0.005 in., brg, gear, outer propshaft		Obsolete part
	3855799	X	• Shim, 0.010 in., brg, gear, outer propshaft		Obsolete part
26	3851205	1	• Propeller shaft, lower, inner		
27	11044	1	• Roller bearing, inner prop shaft gear		
28	3851234	1	• Bearing housing		
29	184765	1	• Roller bearing, outer prop shaft to bearing hsg		
30	3854625	2	• O-ring, prop shaft brg hsg to gearcase		Part of gearcase seal kit
31	852212	1	• Nut, pinion to vertical drive shaft		
32	183859	1	• Needle roller bushin, outer prop skaft		
33	851407	2	• Sealing ring, outer propshaft to brg hsg		Part of gearcase seal kit
34	3851329	1	• Screw, retaining ring to propshaft brg hsg		
35	955981	1	• O-ring, screw, retainer, propshaft brg hsg		Part of gearcase seal kit
36	946438	2	• O-ring, retainer to propshaft brg hsg		Part of gearcase seal kit
37	3851246	1	• Retainer, prop shaft brg hsg to gearcase		
38	3851327	1	• Thrust ring, propshaft brg hsg retainer to gearcase		
39	3854624	1	• O-ring, prop shaft brg hsg retainer to gearcase		Part of gearcase seal kit
40	3852959	1	• O-ring, gearcase to upper gear hsg, oil sump		Part of gearcase seal kit

7749307-44-10689

12747

Upd:2014-05-27

DP-S

REF	PART NO.	QTY	DESCRIPTION	SEE SEC.	NOTES
41	3852349	1	• Screw, gearcase to upper gear hsg, rear		
42	3852960	1	• Screw, gear housing		
43	3854601	1	Retainer, seal, watertube		
44	3855411	1	Zinc anode		
			• Bulletin P-44-1-1	P-44-1-1-EN	Anodes, SX AND DP-S
44	3855412	1	Magnesium anode		
45	3852186	2	Hexagon screw, anode to gearcase		
46	3852182	1	Washer, anode		
47	3852268	1	Splined sleeve		
48	3854795	1	Tube, water supply		
49	3852315	1	• Sealing		Part of gearcase seal kit
50	3854595	1	Sealing, water supply tube to gearcase		Part of gearcase seal kit
51	3856002	1	Sealing kit		