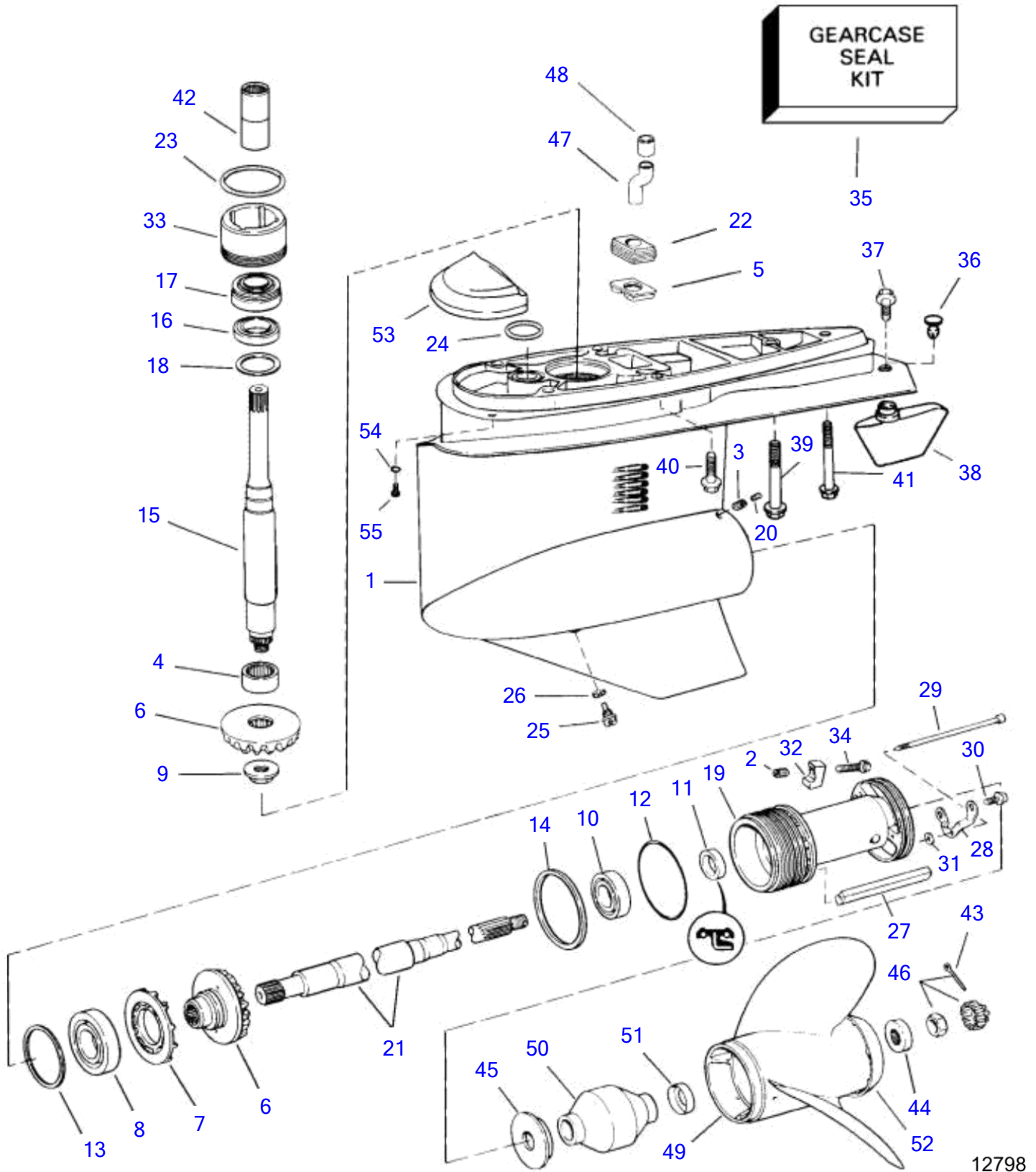


SX-C2, SX-RT2



SX-C2, SX-RT2

REF	PART NO.	QTY	DESCRIPTION	SEE SEC.	NOTES
1	3855692	1	Lower gear		1.43:1
	3801193	1	Lower gear, exch, exch		1.43:1
	3855693	1	Lower gear		1.51:1, 1.79:1
	3801194	1	Aquamatic drive, exc, exch		1.51:1, 1.79:1
	3855694	1	Lower gear		1.60:1, 1.89:1
	3801195	1	Aquamatic drive, exc, exch		1.60:1, 1.89:1
	3855695	1	Lower gear		1.66:1, 1.97:1
	3801196	1	Aquamatic drive, exc, exch		1.66:1, 1.97:1
	3855696	1	Lower gear		1.85:1, 2.18:1
	3801198	1	Aquamatic drive, exc, exch		1.85:1, 2.18:1
	3855363	1	• Gear housing, SX		
2	3852515	1	• • Insert, prop shaft retainer		
3	3852567	1	• • Insert, 5/16 x 18, short		
4	3853934	1	• • Bearing, pinion		
5	3854601	1	• Retainer, seal, water tube		
6	3852402	1	• Drive gear set, pinion & drive gears		1.51:1, 1.79:1
	3852403	1	• Drive gear set, pinion & drive gears		1.60:1, 1.89:1
	3852404	1	• Drive gear set, pinion & drive gears		1.66:1, 1.97:1
	3852405	1	• Drive gear set		1.85:1, 2.18:1
	3854814	1	• Gear set, pinion & drive gears		1.43:1
7	(3853941)	1	• Rotor		Obsolete part
8	3850942	1	• Bearing		
9	3851003	1	• Nut, pinion to driveshaft		
10	3854249	1	• Roller bearing, propeller shaft housing		
11	3853474	1	• Seal, propeller shaft hsg		
12	3852865	1	• O-ring, propshaft bearing hsg to gearcase		
13	3850695	1	• Shim, gear position, 0.002 in. (0.05 mm)		As required
	3852886	1	• Shim, gear position, 0.003 in. (0.08 mm)		As required
	3852885	1	• Shim, gear position, 0.004 in. (0.10 mm)		As required
	3852887	1	• Shim, gear position, 0.005 in. (0.13 mm)		As required
	3852888	1	• Shim, gear position, 0.010 in. (0.25 mm)		As required
14	3852881	1	• Ring, 0.096 in. (2.44 mm), propshaft brg hsg		As required
	3852882	1	• Ring, 0.098 in. (2.49 mm), propshaft brg hsg		As required
	3852868	1	• Ring, 0.100 in. (2.55 mm), propshaft brg hsg		As required
	3852869	1	• Ring, 0.102 in (2.60 mm), propshaft brg hsg		As required
	3852870	1	• Ring, 0.104 in (2.65 mm), propshaft brg hsg		As required
	3852871	1	• Ring, 0.106 in (2.70 mm), propshaft brg hsg		As required
	3852872	1	• Ring, 0.108 in (2.75 mm), propshaft brg hsg		As required
	3852873	1	• Ring, 0.110 in (2.80 mm), propshaft brg hsg		As required
	3852874	1	• Ring, 0.112 in (2.85 mm), propshaft brg hsg		As required
	3852875	1	• Ring, 0.114 in (2.90 mm), propshaft brg hsg		As required
	3852876	1	• Ring, 0.116 in (2.95 mm), propshaft brg hsg		As required
	3852877	1	• Ring, 0.118 in (3.00 mm), propshaft brg hsg		As required
	3852878	1	• Ring, 0.120 in (3.05 mm), propshaft brg hsg		As required
	3852879	1	• Ring, 0.122 in (3.10 mm), propshaft brg hsg		As required
	3852880	1	• Ring, 0.124 in (3.16 mm), propshaft brg hsg		As required
15	3851342	1	• Countershaft, lower		
16	3854249	1	• Roller bearing, lower driveshaft		
17	3854250	1	• Roller bearing, upper driveshaft		
18	3852889	1	• Shim, pinion position, 0.003 in. (0.08 mm)		As required
	3852890	1	• Shim, pinion position, 0.004 in. (0.10 mm)		As required
	3852891	1	• Shim, pinion position, 0.005 in. (0.13 mm)		As required
	3852892	1	• Shim, pinion position, 0.010 in. (0.25 mm)		As required
19	3853492	1	• Housing, propeller shaft		
20	3853272	1	• Screw, propshaft bearing hsg to gearcase		
21	3852271	1	• Propeller shaft		
22	3854595	1	• Sealing, water supply tube to gearcase		Part of gearcase seal kit
23	3852866	1	• O-ring, gearcase to upper gear hsg		Part of gearcase seal kit
24	3852959	1	• O-ring, gearcase to upper gear hsg, oil sump		Part of gearcase seal kit
25	3854539	1	• Plug, oil drain, upper gear hsg		
26	3855081	1	• O-ring, gearcase plug		Part of gearcase seal kit
27	(3852970)	1	• Anode, propeller shaft bearing hsg		Obsolete part
28	(3852971)	1	• Retainer, anode		Obsolete part

SX-C2, SX-RT2

REF	PART NO.	QTY	DESCRIPTION	SEE SEC.	NOTES
29	(3852972)	1	• Screw, anode to propshaft		Obsolete part
30	(3853309)	2	• Screw, anode retainer to propshaft brg hsg		Obsolete part
31	(3852973)	1	• Washer, anode to propshaft		Obsolete part
32	3853371	1	• Retainer, propshaft bearing hsg to gearcase		
33	3855636	1	Retainer, bearing, lower vertical driveshaft		
34	3852478	1	Screw, propeller shaft retainer to gearcase		
35	3855275	1	Kit		
36	3850662	1	Plug, trim tab hole, lower gearcase		Gasoline
37	3852008	1	Screw, trim tab		1.85,1.97, diesel
38	3854402	1	Trim fin		1.85,1.97, diesel
39	3852349	1	Screw, gearcase to upper gear hsg		Rear
	3854806	1	Screw, gearcase to gear hsg		Middle
40	3854807	4	Screw, gearcase to gear hsg		Front, port & stbd
41	3852960	1	Screw, gearcase to upper gear hsg		Rear
	3854805	1	Screw, gearcase to gear hsg		Rear
42	3852268	1	Splined sleeve		
43	3852056	1	Split pin, propeller		
44	3852350	1	Spacer, propeller nut		
45	3852020	1	Bushing, propeller		
46	3850984	1	Propeller nut, propeller		
47	3854795	1	Tube, water supply		
48	3852315	1	Sealing		Part of gearcase seal kit
49	3850298	1	Propeller, 15½ x 13		Right hand, Aluminum
	3850299	1	Propeller, 15½ x 15		Right hand, Aluminum
	3850300	1	Propeller, 15 x 17		Right hand, Aluminum
	3850301	1	Propeller, 14½ x 19		Right hand, Aluminum
	3850302	1	Propeller, 14¼ x 21		Right hand, Aluminum
	3850303	1	Propeller, 14¼ x 23		Right hand, Aluminum
	(3850304)	1	Propeller, 15½ x 14		Obsolete part, Right hand, Stainless steel
		1	Propeller, 15 x 15		Right hand, Stainless steel
	(3850306)	1	Propeller, 15 x 16		Obsolete part, Right hand, Stainless steel
	3850307	1	Propeller, 15 x 17		Right hand, Stainless steel
			• Bulletin 56-11	56-11-EN	Replacement of SX Propellers
49	3850308	1	Propeller, 14½ x 19		Right hand, Stainless steel
			• Bulletin 56-11	56-11-EN	Replacement of SX Propellers
49	3850309	1	Propeller, 14¼ x 21		Right hand, Stainless steel
			• Bulletin 56-11	56-11-EN	Replacement of SX Propellers
49	3850310	1	Propeller, 14¼ x 23		Right hand, Stainless steel
			• Bulletin 56-11	56-11-EN	Replacement of SX Propellers
49	3850311	1	Propeller, 15 x 17		Right hand, Stainless steel, Polished
			• Bulletin 56-11	56-11-EN	Replacement of SX Propellers
49	3850312	1	Propeller, 14½ x 19		Right hand, Stainless steel, Polished
			• Bulletin 56-11	56-11-EN	Replacement of SX Propellers
49	3850313	1	Propeller, 14¼ x 21		Right hand, Stainless steel, Polished
			• Bulletin 56-11	56-11-EN	Replacement of SX Propellers
49	3850314	1	Propeller, 14¼ x 23		Right hand, Stainless steel, Polished
			• Bulletin 56-11	56-11-EN	Replacement of SX Propellers
49	(3850315)	1	Propeller, 15 x 15		Obsolete part, Left hand, Stainless steel
		1	Propeller, 15 x 17		Left hand, Stainless steel
			• Bulletin 56-11	56-11-EN	Replacement of SX Propellers
49	3850317	1	Propeller, 14½ x 19		Left hand, Stainless steel
			• Bulletin 56-11	56-11-EN	Replacement of SX Propellers
49	3850318	1	Propeller, 14 ¼ x 21		Left hand, Stainless steel
			• Bulletin 56-11	56-11-EN	Replacement of SX Propellers
49		1	Propeller, 14¼ x 23		Left hand, Stainless steel
			• Bulletin 56-11	56-11-EN	Replacement of SX Propellers
49		1	Propeller, 15 x 17		Left hand, Stainless steel, Polished
			• Bulletin 56-11	56-11-EN	Replacement of SX Propellers
49	3850321	1	Propeller, 14½ x 19		Left hand, Stainless steel, Polished
			• Bulletin 56-11	56-11-EN	Replacement of SX Propellers
49	3850322	1	Propeller, 14¼ x 21		Left hand, Stainless steel, Polished
			• Bulletin 56-11	56-11-EN	Replacement of SX Propellers
49	3850323	1	Propeller, 14¼ x 23		Left hand, Stainless steel, Polished

SX-C2, SX-RT2

REF	PART NO.	QTY	DESCRIPTION	SEE SEC.	NOTES
			• Bulletin 56-11	56-11-EN	Replacement of SX Propellers
50	3850324	1	• Bushing, propeller		Aluminum
	3850325	1	• Bushing, propeller		SS; polished SS
51	3850831	1	• Sleeve, bushing		
52	(3854241)	1	• Ring		Obsolete part, Aluminum
53	3855411	1	Zinc anode		
			• Bulletin P-44-1-1	P-44-1-1-EN	Anodes, SX AND DP-S
53	3855412	1	Magnesium anode		
54	3852182	2	Washer, anode		
55	3852186	2	Hexagon screw, anode to gearcase		