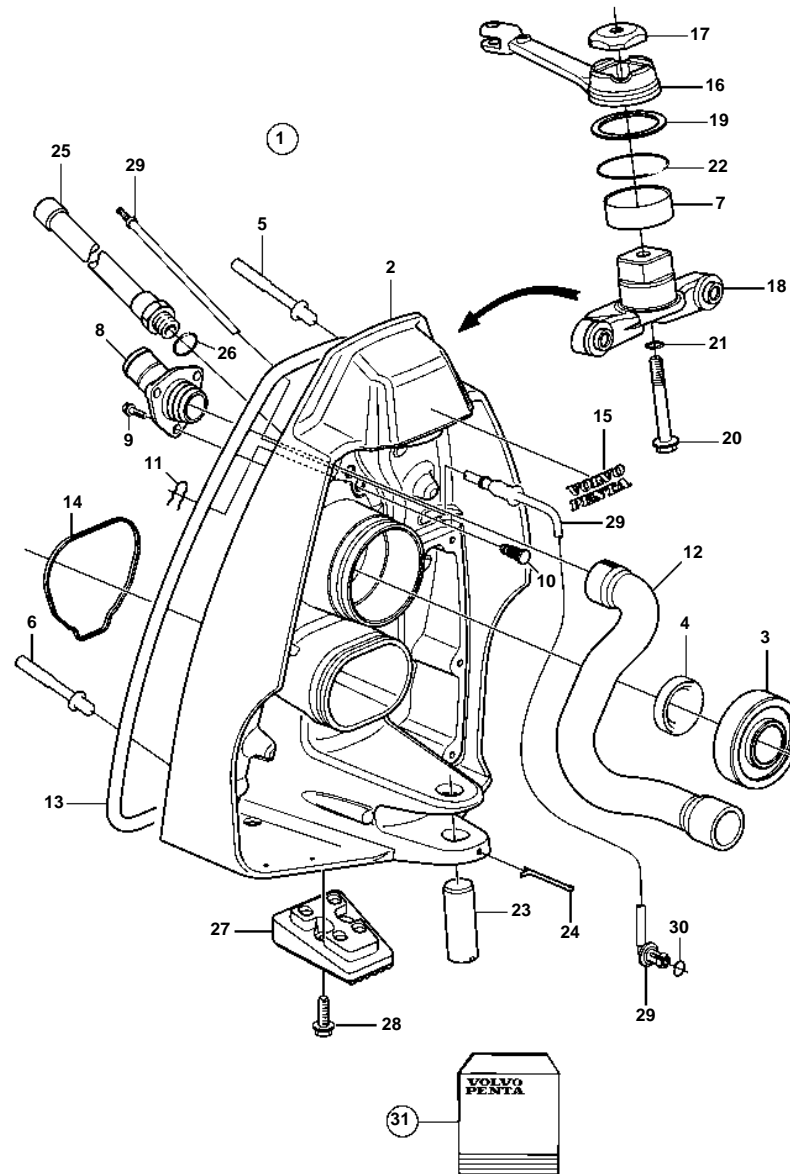


SX-A, SX-ALT42, SX-ALT32, SX-AAC, SX-AACLT42, SX-AACLT32



23242

SX-A, SX-ALT42, SX-ALT32, SX-AAC, SX-AACLT42, SX-AACLT32

REF	PART NO.	QTY	DESCRIPTION	SEE SEC.
1	3840776	1	Shield	
2	3840774	1	• Housing	
3	3888555	1	• Bearing	
4	3883257	1	• Seal	
5	3883256	2	• Stud	
6	3883255	6	• Stud	
7	3840761	1	• Bushing	
8	3840997	1	• Fitting	
9	990857	3	• Screw	
10	3851975	1	• Plug	
11	3852555	1	• Retainer	
12	3883777	1	• Hose	
13	3841011	1	• Rubber gasket	
14	3841013	1	• Gasket	
15	3842849	1	• Decal	
16	3840757	1	Spindle arm	
17	3840759	1	Retainer	
18	3841017	1	Shaft	
19	3841141	1	Thrust washer	
20	3842383	1	Screw	
21	3852045	1	O-ring	
22	946056	1	O-ring	
23	3840764	1	Shaft	
24	3885523	1	Cotter pin	
25	3856800	1	Hose	
26	3852537	1	O-ring	
27	3888816	X	Anode kit, aluminum	
	3888817	X	Anode kit, zinc	
	3888818	X	Anode kit, magnesium	
28		2	• Screw	
29	3883479	1	Tube	
30	976106	1	• O-ring	
31	3888820	1	Gasket kit	9943