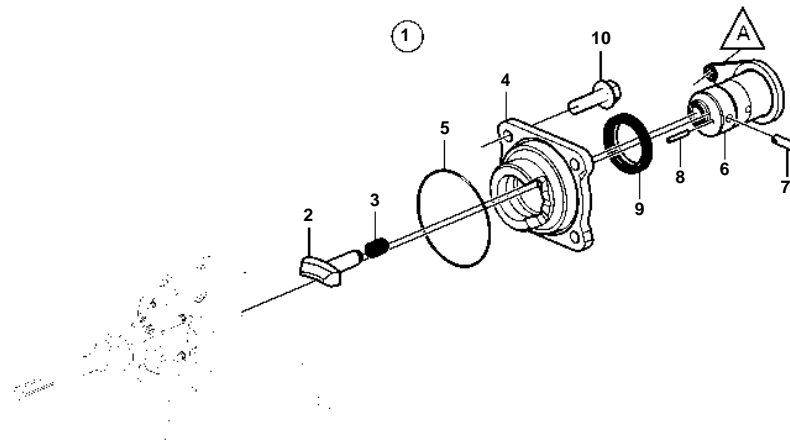
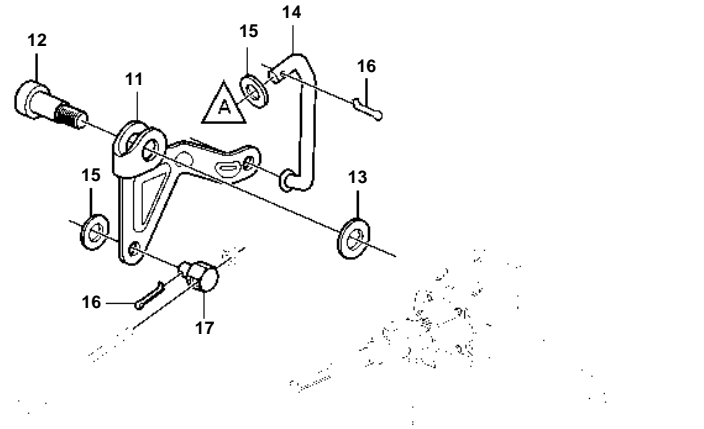


SX-A, DPS-A



23252

SX-A, DPS-A

| REF | PART NO. | QTY | DESCRIPTION        |    |
|-----|----------|-----|--------------------|----|
| 1   | 3843471  | 1   | Shift mechanism    |    |
| 2   |          | 1   | · Shoe             |    |
| 3   | 814184   | 1   | · Spring           |    |
| 4   |          | 1   | · Housing          |    |
| 5   | 925093   | 1   | · O-ring           |    |
| 6   |          | 1   | · Eccentric piston |    |
| 7   | 3862867  | 1   | · Pin              |    |
| 8   | 951936   | 1   | · Spring pin       |    |
| 9   | 3863085  | 1   | · Sealing ring     |    |
| 10  | 990859   | 4   | Screw              |    |
| 11  | 3841112  | 1   | Yoke               |    |
| 12  | 3886432  | 1   | Screw              |    |
| 13  | 3887872  | 1   | Wear washer        | NS |
| 14  | 3888090  | 1   | Rod                |    |
| 15  | 3852193  | 2   | Washer             |    |
| 16  | 3854480  | 2   | Cotter pin         |    |
| 17  | 3852329  | 1   | Cube               |    |