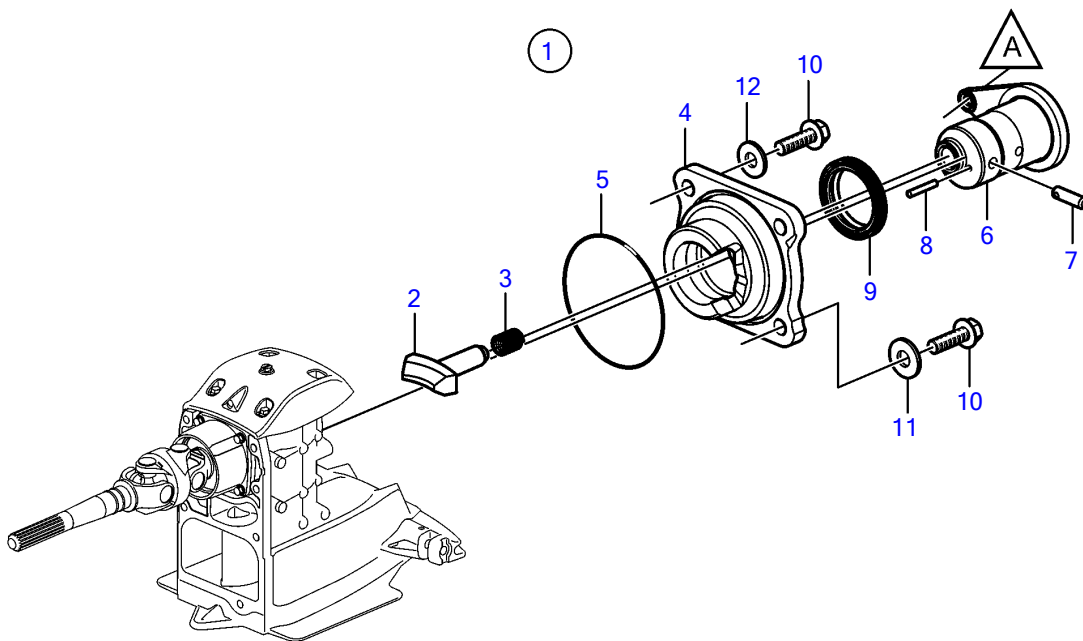
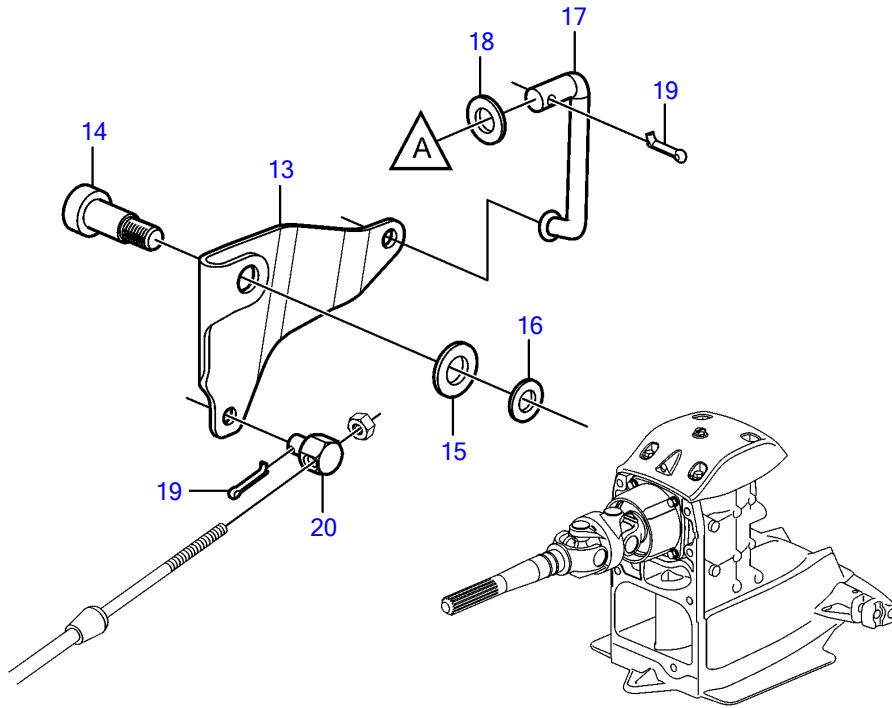


DPS-B, DPS-A OXi, DPS-B OX, DPS-A OXi 1.78, DPS-A OXi 1.95, DPS-A OXi 2.14, DPS-B 178, DPS-B 1.95, DPS-B 2.14, DPS-B 2.32, DPS-B OX 1.78, DPS-B OX 1.95, DPS-B OX 2.14, DPS-B 1.95, DPS-B 2.14, DPS-B OX 1.95, DPS-B OX 2.14, DPS-B1, 1.95, DPS-B1, 2.14, DPS-B1, 2.32, DPS-B1 OX, 1.95, DPS-B1 OX, 2.14, DPS-B1 OX, 2.32, DPS-B1 OX, DPS-B1, FWD-B1, 1.95, FWD-B1, 2.14, FWD-B1, 2.32, FWD-B1



DPS-B, DPS-A OXi, DPS-B OX, DPS-A OXi 1.78, DPS-A OXi 1.95, DPS-A OXi 2.14, DPS-B 178, DPS-B 1.95, DPS-B 2.14, DPS-B 2.32, DPS-B OX 1.78, DPS-B OX 1.95, DPS-B OX 2.14, DPS-B 1.95, DPS-B 2.14, DPS-B OX 1.95, DPS-B OX 2.14, DPS-B1, 1.95, DPS-B1, 2.14, DPS-B1, 2.32, DPS-B1 OX, 1.95, DPS-B1 OX, 2.14, DPS-B1 OX, 2.32, DPS-B1 OX, DPS-B1, FWD-B1, 1.95, FWD-B1, 2.14, FWD-B1, 2.32, FWD-B1

| REF | PART NO. | QTY | DESCRIPTION | NOTES |
|-----|----------|-----|-------------------|-------------------------------|
| 1 | 21256410 | 1 | Shift mechanism | |
| 2 | 3843517 | 1 | • Dog | |
| 3 | 814184 | 1 | • Spring | |
| 4 | | 1 | • Bearing housing | Not sold separately |
| 5 | 925093 | 1 | • O-ring | |
| 6 | | 1 | • Piston | Not sold separately |
| 7 | 3862867 | 1 | • Pin | |
| 8 | 951936 | 1 | • Spring pin | |
| 9 | 3863085 | 1 | • Sealing ring | |
| 10 | 990859 | 4 | Flange screw | |
| 11 | 982408 | 2 | Washer | removed from later production |
| 12 | 982408 | 2 | Washer | OX only |
| 13 | 3889945 | 1 | Bracket | |
| 14 | 3886432 | 1 | Shoulder screw | |
| 15 | 3887872 | 1 | Wear washer | |
| 16 | 941670 | 1 | Washer | |
| 17 | 21407172 | 1 | Rod | |
| 18 | 3852193 | 1 | Washer | |
| 19 | 3854480 | 2 | Split pin | |
| 20 | 3852329 | 1 | Cube | |