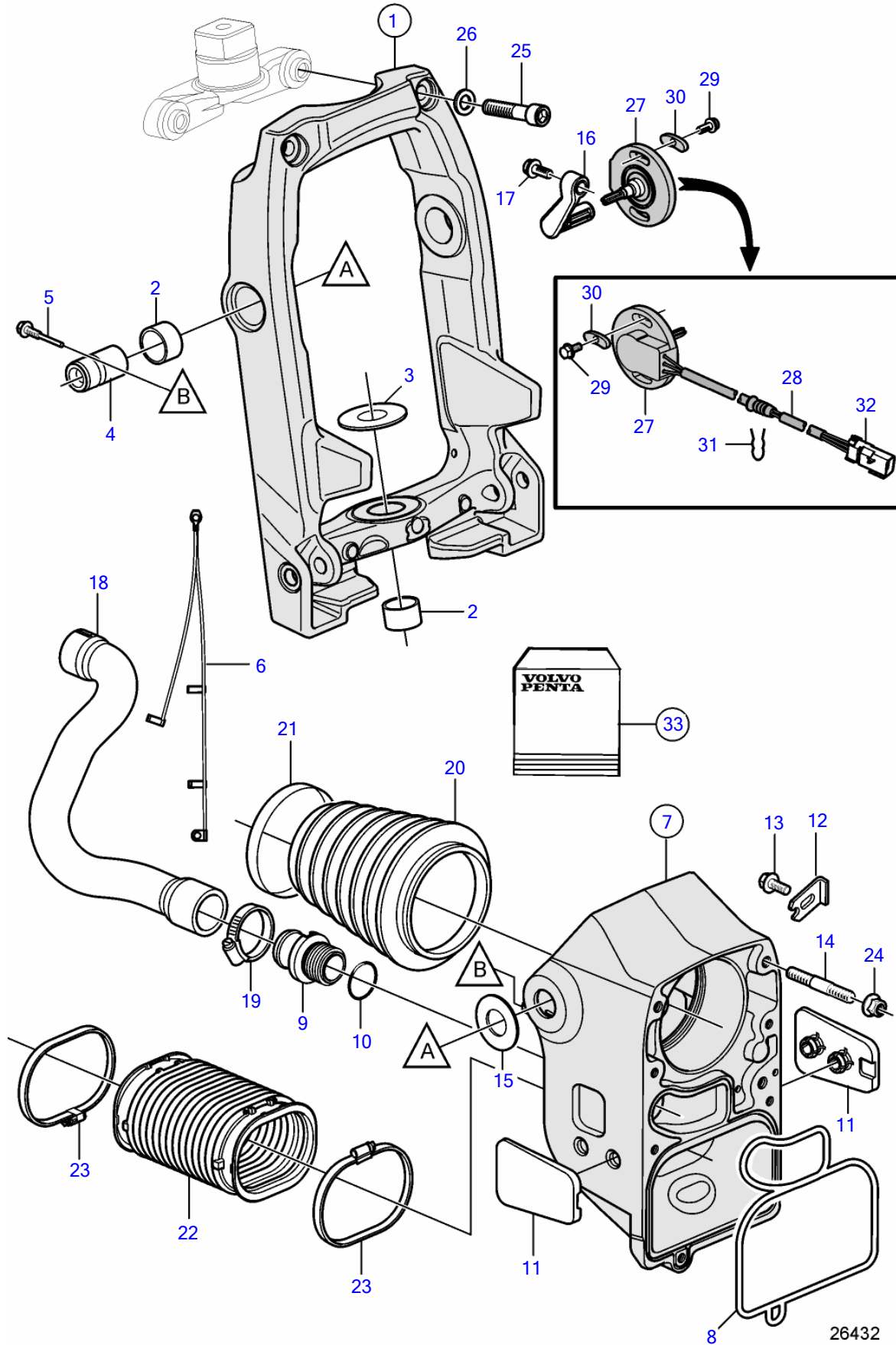


TSK-B-OX-52, TSK-B-OX-42, TSK-B-OX-32



TSK-B-OX-52, TSK-B-OX-42, TSK-B-OX-32

REF	PART NO.	QTY	DESCRIPTION	SEE SEC.	NOTES
1	21145375	1	Ring		
2	3808228	3	• Bearing bushing		
3	3852558	1	• Washer		
4	3841005	2	Pivot pin		
5	3883496	2	Flange screw		
6	3842406	1	Chassis ground cable		
7	21176081	1	Housing		
8	3889788	1	• Gasket		
9	3883597	1	• Fitting		
10	947490	1	• O-ring		
11	3841295	2	• Pad		
12	3888766	1	• Retainer		Shift cable
13	3852006	1	• Screw		
14	3852551	6	• Stud		
15	3852558	2	• Washer		
16	3840999	1	• Shaft		
17	990857	1	• Flange screw		
18	3883777	1	Hose		
19	3889653	1	Hose clamp		
20	3841481	1	Bellows kit		SN to A294173, replaced by next part number
	22197130	1	Bellows kit		SN from A294174, no spring
			• Bulletin P-44-1-27	P-44-1-27-EN	Improved U-joint Bellows, SX, DPS, DP-S
21	853012	1	• Hose clamp		replaced by next part number
	22274887	1	Hose clamp		
22	3888916	1	Kit		
23	3852604	2	• Hose clamp		
24	3853329	6	Nut		
25	3888124	2	Hex. socket screw		
26	3850676	2	Washer		
27	22005045	1	Kit, trim		non-contact
			• Bulletin 44-5-28	44-5-28-EN	Non-contact Trim Sender
27		1	• Sensor		
28		1	• • Wiring harness		
29	990857	2	Flange screw		
30	21776227	2	Washer		
31	3852555	1	Retainer		
32	3884945	1	Cable connection		
33	3888820	1	Gasket kit	9943	