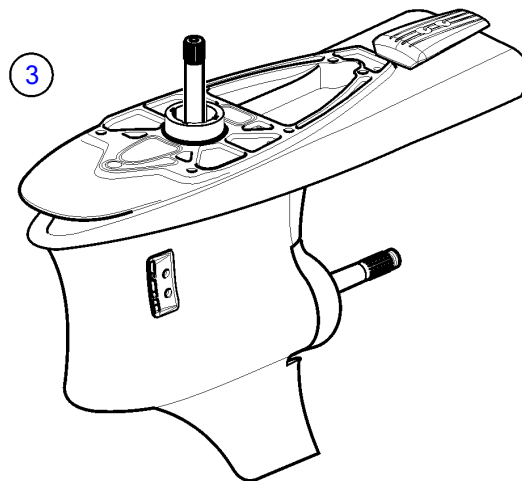
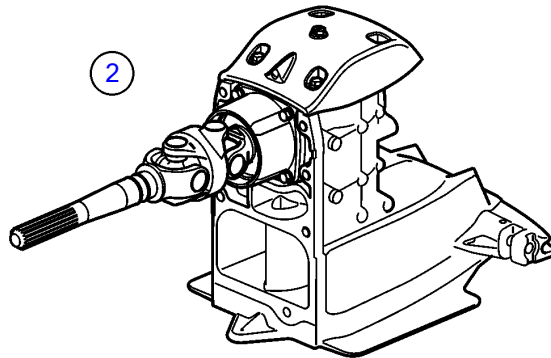
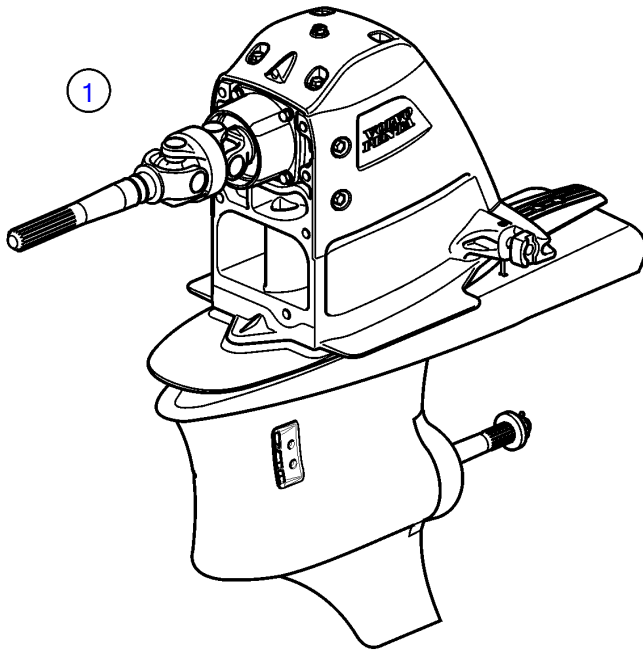


SX-A, SX-A 1.43, SX-A 1.51, SX-A 1.60, SX-A 1.66, SX-A 1.79, SX-A 1.89, SX-A 1.97, SX-A 2.18



22891

SX-A, SX-A 1.43, SX-A 1.51, SX-A 1.60, SX-A 1.66, SX-A 1.79, SX-A 1.89, SX-A 1.97, SX-A 2.18

REF	PART NO.	QTY	DESCRIPTION	NOTES
1	3883599	1	Drive unit, SX-A	1.43:1
	3883600	1	Drive unit, SX-A	1.51:1
	3801209	1	Aquamatic drive, exc, SX-A, exch	1.51:1
	3883601	1	Drive unit, SX-A	1.60:1
	3883602	1	Drive unit, SX-A	1.66:1
	3801210	1	Aquamatic drive, exc, SX-A, exch	1.66:1
	3883603	1	Drive unit, SX-A	1.97:1
	3883604	1	Drive unit, SX-A	1,89:1
	3883605	1	Drive unit, SX-A	2.18:1
	3883623	1	Drive unit, SX-A	1.79:1
2	3842918	1	• Upper gear, complete	SX 1.43, 1.51, 1.60, 1.66, DPS 1.68, 1.78, 1.95
	3801213	1	• Upper gear, exch, complete, exch	SX 1.43, 1.51, 1.60, 1.66, DPS 1.68, 1.78, 1.95
	3842919	1	• Upper gear, complete	SX 1.79, 1.89, 1.97, 2.18, DPS 2.11, 2.32
	3801214	1	• Upper gear, exch, complete, exch	SX 1.79, 1.89, 1.97, 2.18, DPS 2.11, 2.32
3	3842602	1	• Gear housing, complete	1.43:1
	3842603	1	• Gear housing, complete	1.51:1 & 1.79:1
	3801215	1	• Lower gear, exch, complete, exch	1.51:1 & 1.79:1
	3842604	1	• Gear housing, complete	1.60:1 & 1.89:1
	3842605	1	• Gear housing, complete	1.66:1 & 1.97:1
	3801216	1	• Lower gear, exch, complete, exch	1.66:1 & 1.97:1
	3842606	1	• Gear housing, complete	2.18:1