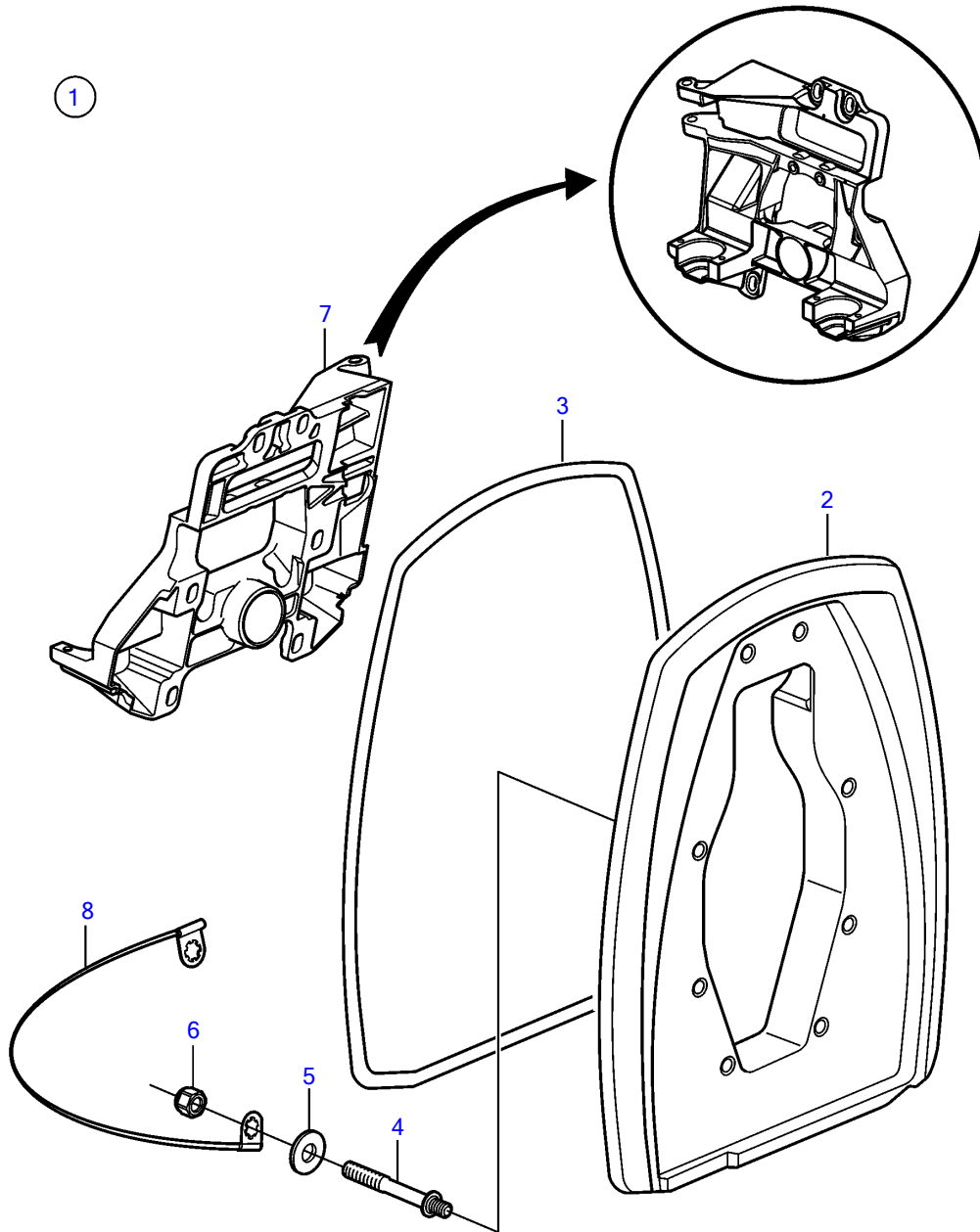


SX-A, TSK-A-42, TSK-A-32, TSK-A-AC-52, TSK-A-AC-42, TSK-A-AC-32, TSK-A-32-NPT, TSK-A-42-NPT, TSK-A-52-NPT, TSK-A-AC-32-NPT, TSK-A-AC-42-NPT, TSK-A-AC-52-NPT, TSK-B-52, TSK-B-42, TSK-B-32, TSK-B-AC-52, TSK-B-AC-42, TSK-B-AC-32, TSK-B-52-NPT, TSK-B-42-NPT, TSK-B-32-NPT, TSK-B-AC-42-NPT, TSK-B-AC-32-NPT



24034

SX-A, TSK-A-42, TSK-A-32, TSK-A-AC-52, TSK-A-AC-42, TSK-A-AC-32, TSK-A-32-NPT, TSK-A-42-NPT, TSK-A-52-NPT, TSK-A-AC-32-NPT, TSK-A-AC-42-NPT, TSK-A-AC-52-NPT, TSK-B-52, TSK-B-42, TSK-B-32, TSK-B-AC-52, TSK-B-AC-42, TSK-B-AC-32, TSK-B-52-NPT, TSK-B-42-NPT, TSK-B-32-NPT, TSK-B-AC-42-NPT, TSK-B-AC-32-NPT

REF	PART NO.	QTY	DESCRIPTION	NOTES
1	3889814	1	Adapter kit	
2		1	• Adapter	
3		1	• • Seal	
4	3883255	8	• • Stud	replaced by next part number
	3595062	8	• Stud	
5	190878	8	• Washer	
6	3853329	8	• Nut	
7	3593817	1	• Plate	replaced by next part number
	21587626	1	• Plate	
8	3853928	1	• Chassis ground cable	