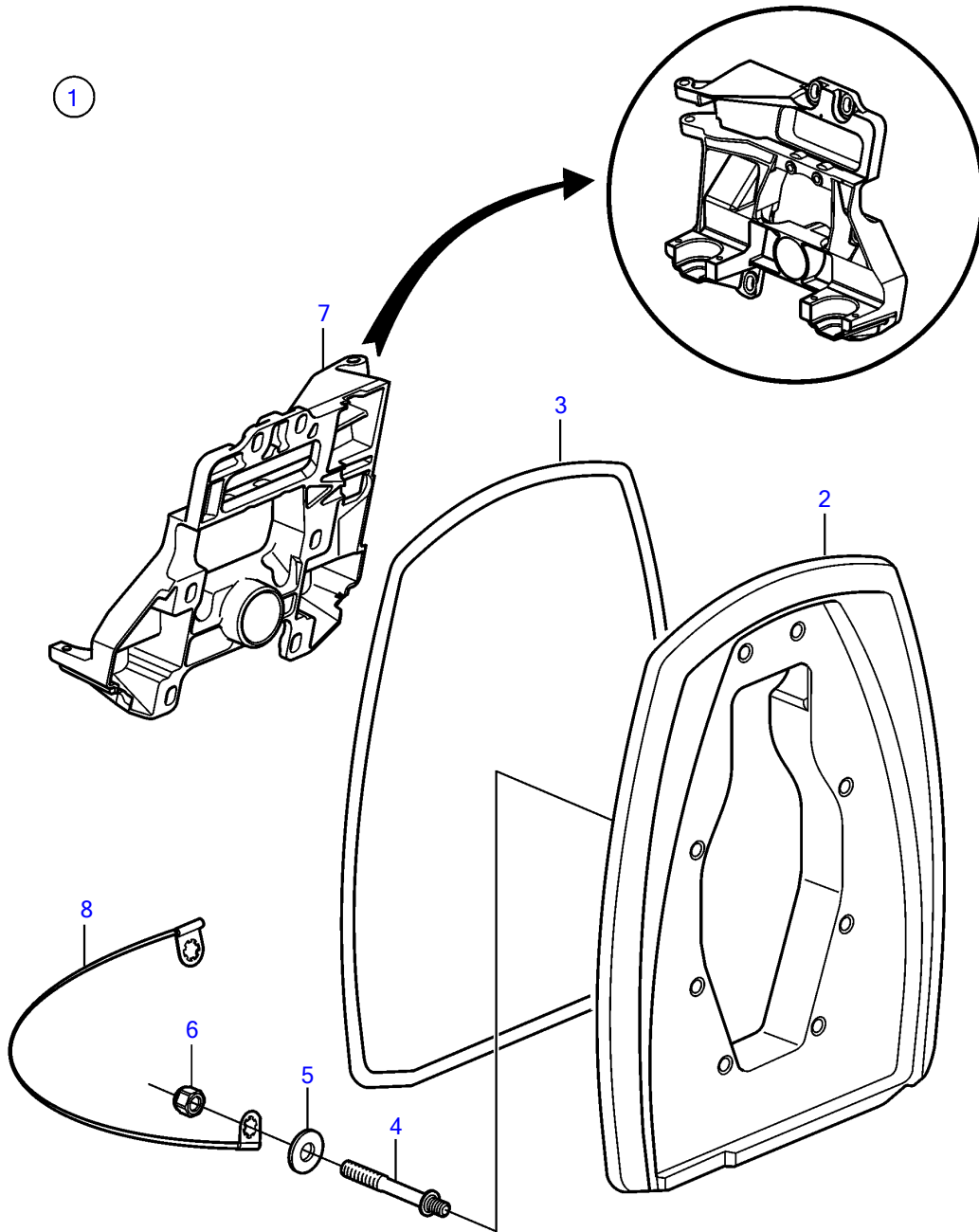


TSK-A-OX-52, TSK-A-OX-42, TSK-A-OX-32, TSK-B-OX-52, TSK-B-OX-42, TSK-B-OX-32



24034

TSK-A-OX-52, TSK-A-OX-42, TSK-A-OX-32, TSK-B-OX-52, TSK-B-OX-42, TSK-B-OX-32

REF	PART NO.	QTY	DESCRIPTION	NOTES
1	21327006	1	Kit	
2	(21327002)	1	• Adapter	Obsolete part
3		1	• • Seal	
4	3883255	8	• • Stud	replaced by next part number
	3595062	8	• Stud	
5	190878	8	• Washer	
6	3853329	8	• Nut	
7	3593817	1	• Plate	replaced by next part number
	21587626	1	• Plate	
8	3853928	1	• Chassis ground cable	