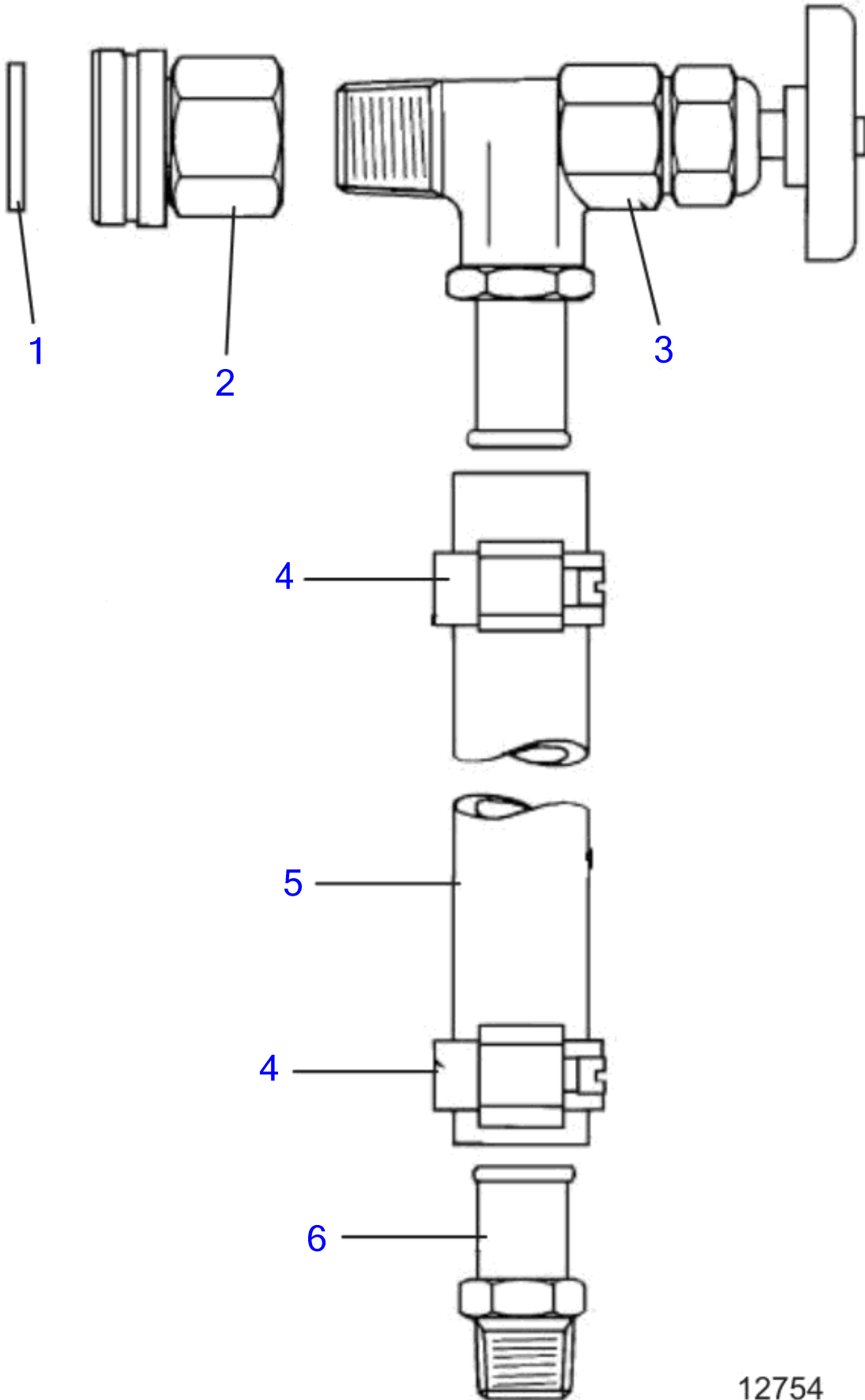


PJX-S, PJX-C, PJX-C1



12754

PJX-S, PJX-C, PJX-C1

REF	PART NO.	QTY	DESCRIPTION
1		1	Cleaner, kit
		1	• Gasket
2	969497	1	• Hose nipple
3		1	• Valve
4	961665	2	• Hose clamp
5	952969	1	• Hose
6		1	• Swivel nipple