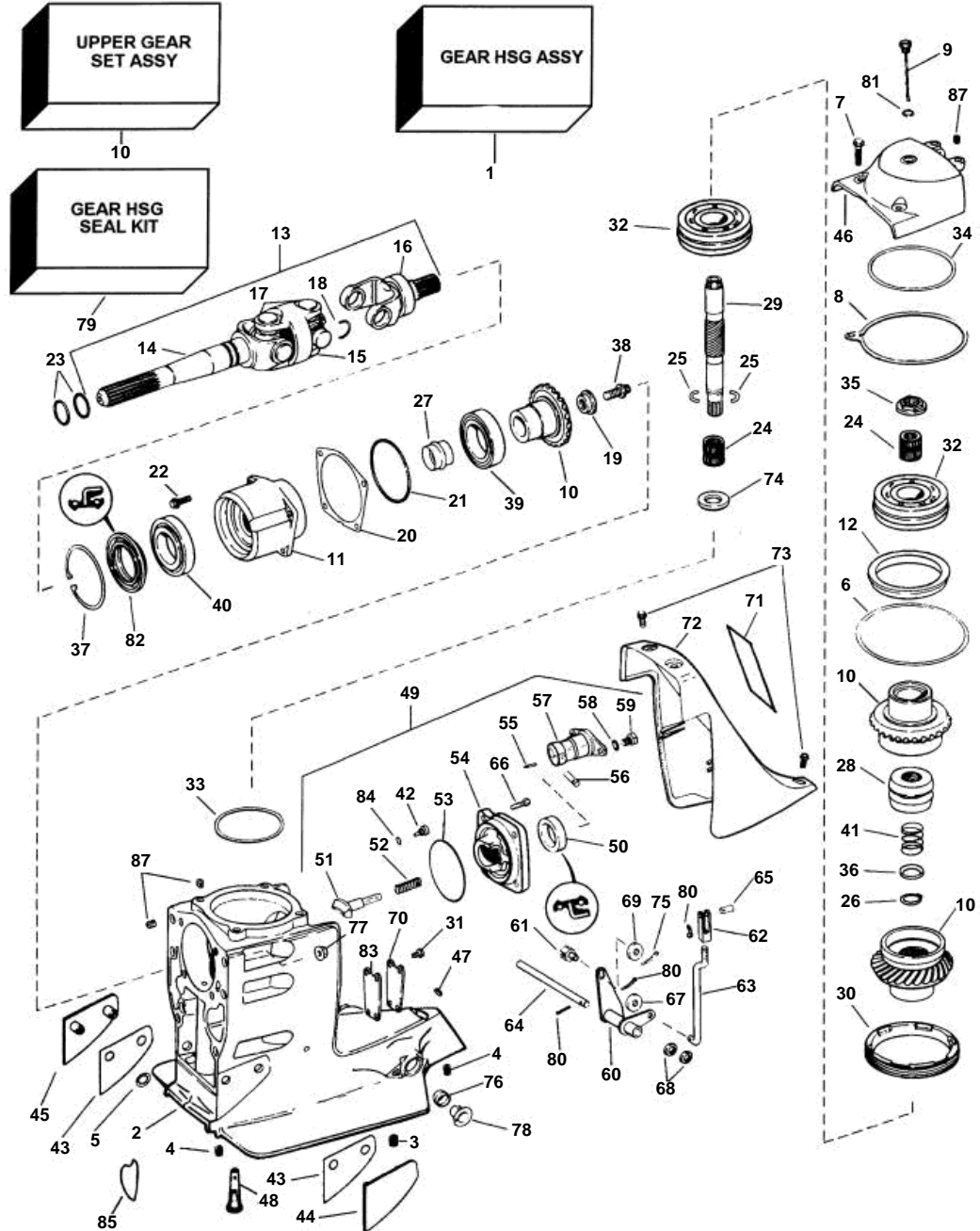


SX-C1, SX-CT1, SX-RT1, DP-S - UPPER GEAR UNIT



Upd: 22 NOV 2005

GR960029

7797260 - - 0-0003



NC PJX-C, PJX-S, SX-C1, SX-CT1, SX-RT1, DP-S, DP-C1, DP-D1, DPX-s, Xact™ STEERING, HS1A

# SX-C1, SX-CT1, SX-RT1, DP-S - UPPER GEAR UNIT

REF	PART NO.	QTY	DESCRIPTION	SEE SEC.	NOTES
	3868392	1	Drive, Complete assy, SX-C1 (1.43:1)		Not shown
	3868393	1	Drive, Complete assy, SX-C1 (1.51:1)		Not shown
	3868394	1	Drive, Complete assy, SX-C1 (1.60:1)		Not shown
	3868395	1	Drive, Complete assy, SX-C1 (1.66:1)		Not shown
	3868398	1	Drive, Complete assy, SX-RT1 (1.66:1)		Not shown
	3868166	1	Drive unit, Complete assy, DP-S (1.68:1)		Not shown
	3868165	1	Drive unit, Complete assy, DP-S (1.78:1)		Not shown
	3868465	1	Drive, Complete assy, SX-C1 (1.85:1)		Not shown
	3868396	1	Drive, Complete assy, SX-CT1(1.85:1)		Not shown
	3868164	1	Drive unit, Complete assy, DP-S (1.95:1)		Not shown
	3868397	1	Drive, Complete assy, SX-CT1(1.97:1)		Not shown
	3868333	1	Drive, Complete assy, SX-RT1 (2.18:1)		Not shown
	3868163	1	Drive unit, Complete assy, DP-S (2.30:1)		Not shown
1	3856181	1	Gear housing, Upper, 22.23		1.43,
	3855700	1	Gear housing, Upper, 21.26		1.97; 2.18
2	3855775	1	Gear housing, Upper, gasoline		
	3855500	1	Upper, diesel		
3	3852541	1	· Insert, Threaded, 7116-14		
4	3852515	5	· Thread insert, Threaded, 318-16		
5	3852516	4	Ring retainer, Thrust plate to upper gear		
6	3852363	X	Shim, Upper bearing, 0.002 in		
	3852364	X	Shim, Upper bearing, 0.003 in		
	3852365	X	Shim, Upper bearing, 0.004 in		
	3852366	X	Shim, Upper bearing, 0.005 in		
	3852367	X	Shim, Upper bearing, 0.010 in		
7	3850629	4	Screw, Top cover to upper gear hsg		
8	3852317	1	Gasket, Top cover to upper gear hsg		
9	3854847	1	Oil dipstick, Oil indicator, upper gear hsg cover		
10	3851203	1	Gear set, Upper		
	3851505	1	· Gear set, Pinion & drive gears		1.43,
	3851793	1	· Gear set, Pinion & drive gears		1.97; 2.18
		2	· · DRIVE GEAR		
		1	· · PINION GEAR		
11	3852267	1	Bearing carrier, Pinion		
12	3852269	1	Support ring, Upper bearing support		
13	3852384	1	Universal joint		
			Bulletin P-44-1-5	P-44-1-5-EN	U-joints
14	3850815	1	· Yoke, Yoke		
15	3850813	1	· Intermediate section		
16	3850814	1	· Yoke, Yoke		
17	3850812	2	· Spider		
18	3850757	4	· Lock clip, U joint		
19	3852310	1	Washer, Pinion gear		
20	3852355	X	Adjusting washer, Bearing carrier, 0.003 in		
	3852356	X	Adjusting washer, Bearing carrier, 0.004 in		
	3852357	X	Adjusting washer, Bearing carrier, 0.005 in		

7797260 - - 0-0003

GR960029

Upd: 22 NOV 2005

# SX-C1, SX-CT1, SX-RT1, DP-S - UPPER GEAR UNIT

REF	PART NO.	QTY	DESCRIPTION	SEE SEC.	NOTES
20	3852358	X	Adjusting washer, Bearing carrier, 0.010 in		
21	925095	1	O-ring, Bearing carrier		
22	3852454	4	Screw, Pinion brg carrier to upper gear hsg		
23	3852565	2	O-ring, U joint		
24	3852390	2	Needle bearing, Drive gear		
25	3852295	2	Lock ring, Upper drive shaft		
26	951078	1	Snap ring		
27	3852304	1	Sleeve, Crush		
28	873312	1	Sliding sleeve		
			Bulletin P-44-1-8	P-44-1-8-EN	Shift mechanism, shift cone and shoe
29	3852292	1	Shaft, Upper drive		
30	3852262	1	Retainer, Lower bearing		
31	3852373	4	Screw, Water passage plate & gasket		To upper gear hsg
32	3852389	2	Ball bearing, Drive gear		
33	3852368	X	Adjusting washer, Lower bearing, 0.002 in		
	3852369	X	Adjusting washer, Lower bearing, 0.003 in		
	3852370	X	Adjusting washer, Lower bearing, 0.004 in		
	3852371	X	Adjusting washer, Lower bearing, 0.005 in		
	3852372	X	Adjusting washer, Lower bearing, 0.010 in		
34	3852368	X	Adjusting washer, Upper cover, 0.002 in		
	3852369	X	Adjusting washer, Upper cover, 0.003 in		
	3852370	X	Adjusting washer, Upper cover, 0.004 in		
	3852371	X	Adjusting washer, Upper cover, 0.005 in		
	3852372	X	Adjusting washer, Upper cover, 0.010 in		
35	3852301	X	Nut, Upper drive shaft, 0.000 in		
	3852302	X	Nut, Upper drive shaft, 0.008 in		
	3852303	X	Nut, Upper drive shaft, 0.016 in		
	3852375	X	Nut, Upper drive shaft, 0.024 in (0.60 mm)		
36	3852298	1	Washer, Spring		
37	914538	1	Lock ring, Seal, U-joint assy		
38	3852309	1	Screw, Washer, pinion to U-joint assy		
39	3850852	1	Bearing, Bearing carrier, pinion, rear		
40	3850853	1	Bearing, Pinion to outer carrier		
41	3852296	1	Spring, Clutch cone to shaft		
42	3854539	1	Plug, Oil drain, gear hsg		
43	3852563	X	Adjusting washer, Thrust plate, 0.015 in		
44	3852561	1	Thrust plate, Gear hsg, port		
45	3852562	1	Thrust plate, Gear hsg, stbd		
46	3854401	1	Bearing cover, Upper gear unit, top		
47	3852567	2	• Thread insert, Threaded,.5116-18, short		
48	3854021	1	Strainer, Dil sump		
49	839504	1	Shift mechanism, Upper gear hsg, rear		
50	873291	1	• Sealing ring		
51	814603	1	• Dog		
52	814184	1	• Spring, Shift shoe		
53	925093	1	• O-ring, Shift actuator		Part of gear hsg seal kit

7797260 - - 0-0003

GR960029

Upd: 22 NOV 2005

NC PJX-C, PJX-S, SX-C1, SX-CT1, SX-RT1, DP-S, DP-C1, DP-D1, DPX-s, Xact™ STEERING, HS1A

**VOLVO**  
**PENTA**

# SX-C1, SX-CT1, SX-RT1, DP-S - UPPER GEAR UNIT

REF	PART NO.	QTY	DESCRIPTION	SEE SEC.	NOTES
54	839505	1	· Bearing housing		
55	951924	1	· Tensioning din		
56	942871	1	· Pin		
57	897816	1	· Eccentric piston		
			· Bulletin P-44-1-7	P-44-1-7-EN	Shift mechanism, eccentric piston
58	897871	X	· Adjusting washer		
59	897711	1	· Screw		
60	3852276	1	Gear yoke, Shift		
61	3852329	1	Cube, Shift cable to bellcrank		
62	3852328	1	Fork, Shift link		
63	3852278	1	Link rod, Bellcrank to piston		
64	3852277	1	Pin, Bell crank		
65	192662	1	Clevis pin, Shift link to piston		
66	3856742	4	Screw, Shift hsg to upper gear hsg		
67	3852182	1	Lock washer, Trunnion, shift cable to bellcrank		
68	3852193	2	Washer, Shift link to bellcrank		
69	3852083	1	Washer, Bellcrank to gear hsg		
70	3852280	1	Plate, Water passage		
71	3855356	1	Decal, VP SX Cobra		
	3855360	1	Decal, VP SX Diesell		
72	3852418	1	Cover, Shift mechanism		
73	3852568	3	Screw, Cover		
74	3852294	1	Ring, Spacer		
75	3854480	1	Pin, Trunnion shift cable to bellcrank		
76	3853423	2	Bushing, Pivot pin		
77	3853329	6	Nut, Drive to pivot hsg		
78	3853424	2	Grommet, Pivot pin bushing		
79	3850594	1	Sealing kit, Upper gear hsg		
80	3852052	3	· Cotter pin		
81	3852045	1	· O-ring, Oil fall plug		
82	3852272	1	· Seal, U joint to bearing carrier		
83	3852279	1	· Gasket, Water passage		
84	3852105	1	· Washer, Oil drain plug		
85	3852560	1	· Seal, Water passage		
87	3852513	2	Thread insert, Threaded, 5/16-18		
	3855644	2	Decal, SX Cobra, gasoline		Not shown
	3855645	2	Decal, SX, diesel		Not shown
	3855646	2	Decal, DP-S, upper gear, port & stbd		Not shown
	3855647	2	Decal, DP-S, upper gear hsg cover		Not shown

7797260 - - 0-0003

GR960029

Upd: 22 NOV 2005