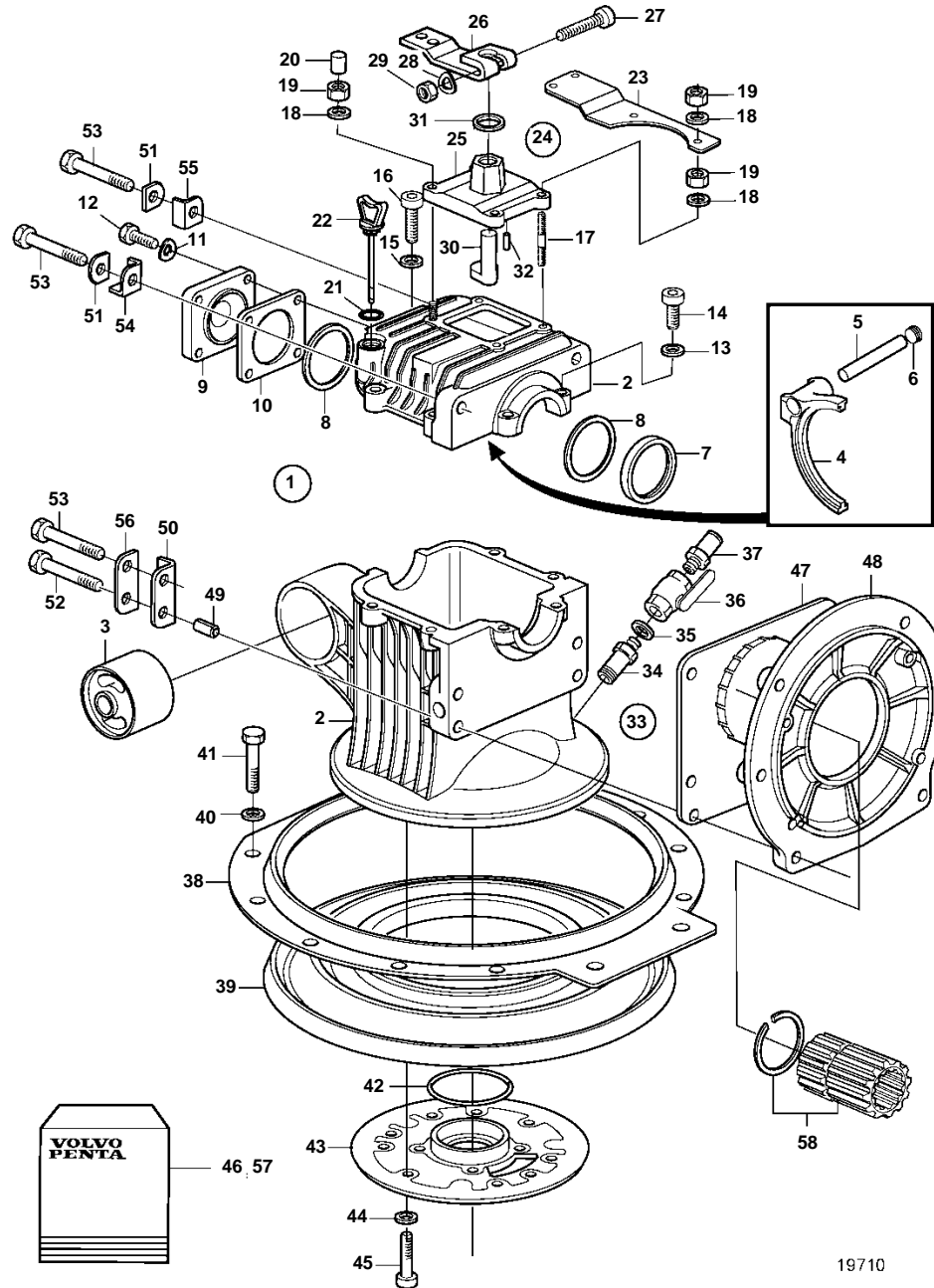


MS25S-A, MS25SR-A



MS25S-A, MS25SR-A

REF	PART NO.	QTY	DESCRIPTION	SEE SEC.	NOTES
1	3583351	1	Upper gear unit		
				4762	
2	3582877	1	Gear housing		
3	3583321	1	• Rubber bushing		
4	3582551	1	• Fork		
5	3582463	1	• Shaft		
6	3581973	1	• Plug		
7	3583322	1	• Sealing ring		
8	3582566	X	• Shim		TH = 0,10mm
	3582567	X	• Shim		TH = 0.15mm
	3582903	X	• Shim		TH=0,20mm
	3582568	X	• Shim		TH = 0,30mm
	3582569	X	• Shim		TH = 0,50mm
9	3582922	1	• Cover		
10	3582557	1	• Gasket		
11	941907	4	• Spring washer		
12	955294	4	• Screw		
13	941907	6	• Spring washer		
14	955298	6	• Screw		
15	941907	2	• Spring washer		
16	955302	2	• Screw		
17	980289	4	• Stud		
18	941907	6	• Spring washer		
19	955782	6	• Nut		
20		2	• Cap		
21	3582203	1	• O-ring		
22	3582201	1	• Dipstick		
23	3582614	1	• Bracket		
24		1	• Cover		
25	3582550	1	• • Cover		
26	3581965	1	• • Lever		
27	955298	1	• • Screw		
28	941907	1	• • Spring washer		
29	955782	1	• • Nut		
30	3581969	1	• • Cam		
31	3581966	1	• • Sealing ring		
32	3581968	1	• • Pin		
33		1	• Tap		
34	3583431	1	• • Nipple		
35	947626	1	• • Gasket		
36	1140097	1	• • Ball valve		
37	3583432	1	• • Nipple		
38	873126	1	• Clamping ring		
39	3582890	1	• Sealing ring		Included in kit 877362.

7739840 - 44 - 4761B

19710

Upd: 21 NOV 2005

MS25S/SR, 130S/150S, MS10/15, MS/HS25, HS45/63

VOLVO
PENTA

