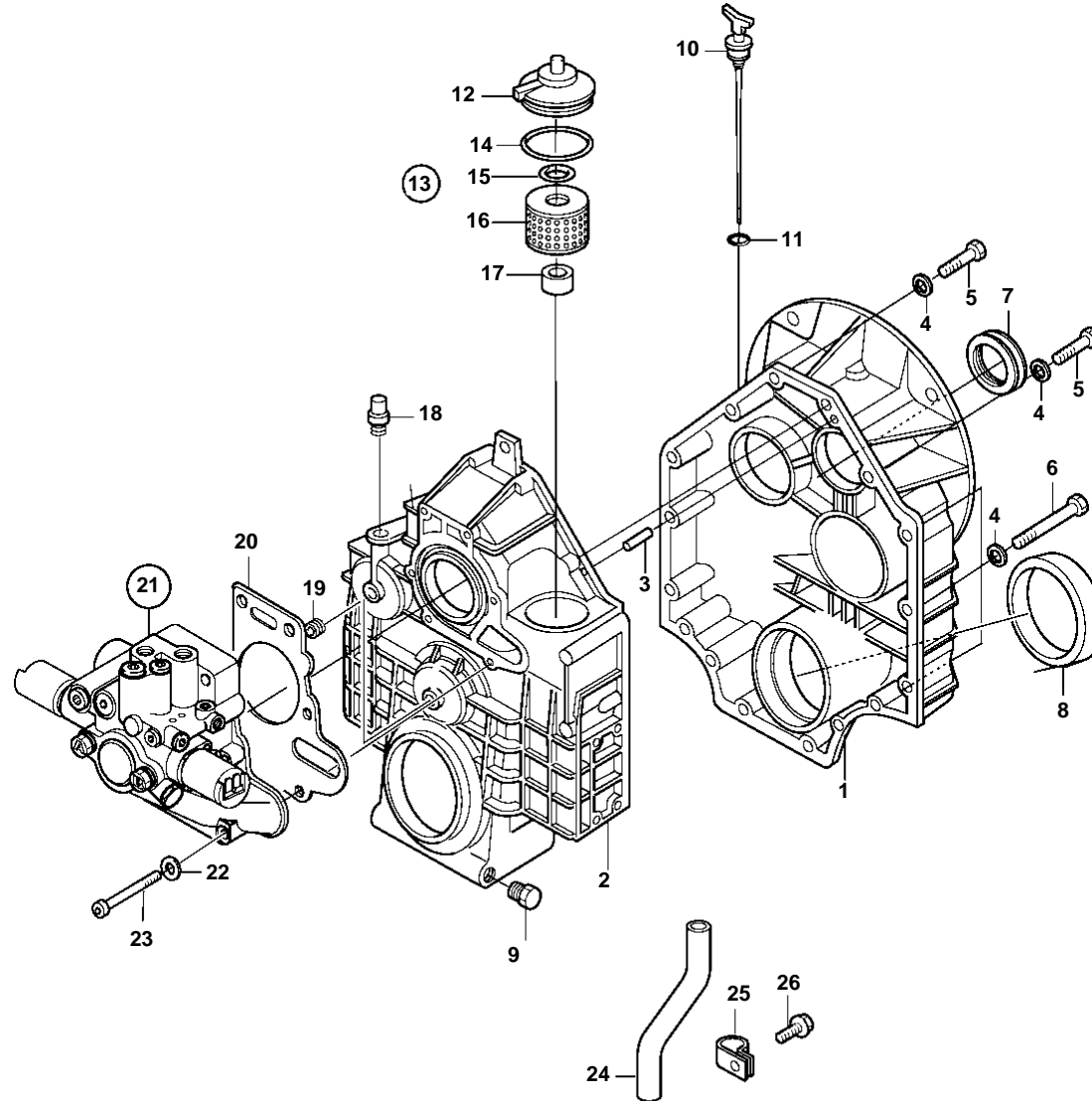


HS80VE-A



20825

## HS80VE-A

REF	PART NO.	QTY	DESCRIPTION	SEE SEC.
1	3584411	1	Housing	
2	3584408	1	Housing	
3	3582045	2	Pin	
4	941908	16	Spring washer	
5	970949	15	Screw	
6	955304	1	Screw	
7	3582047	1	Seal	
8	3584412	1	Seal	
9	3584460	1	Plug	
10	3584176	1	Oil dipstick	
11	3582203	1	· O-ring	
12	3582063	1	Cover	
13	3582069	1	Oil filter, kit	
14	3582065	1	· O-ring	
15	3582064	1	· O-ring	
16		1	· Oil filter	
17	3582049	1	Bushing	
18	3582050	1	Valve	
19	3581973	2	Plug	
20	3582046	1	Gasket	
21	3582188	1	Valve	
				4414
22	941907	6	Spring washer	
23	941761	6	Screw	
24	3584410	1	Suction pipe	SO
25	3582202	1	Clamp	
26	942001	1	Screw	