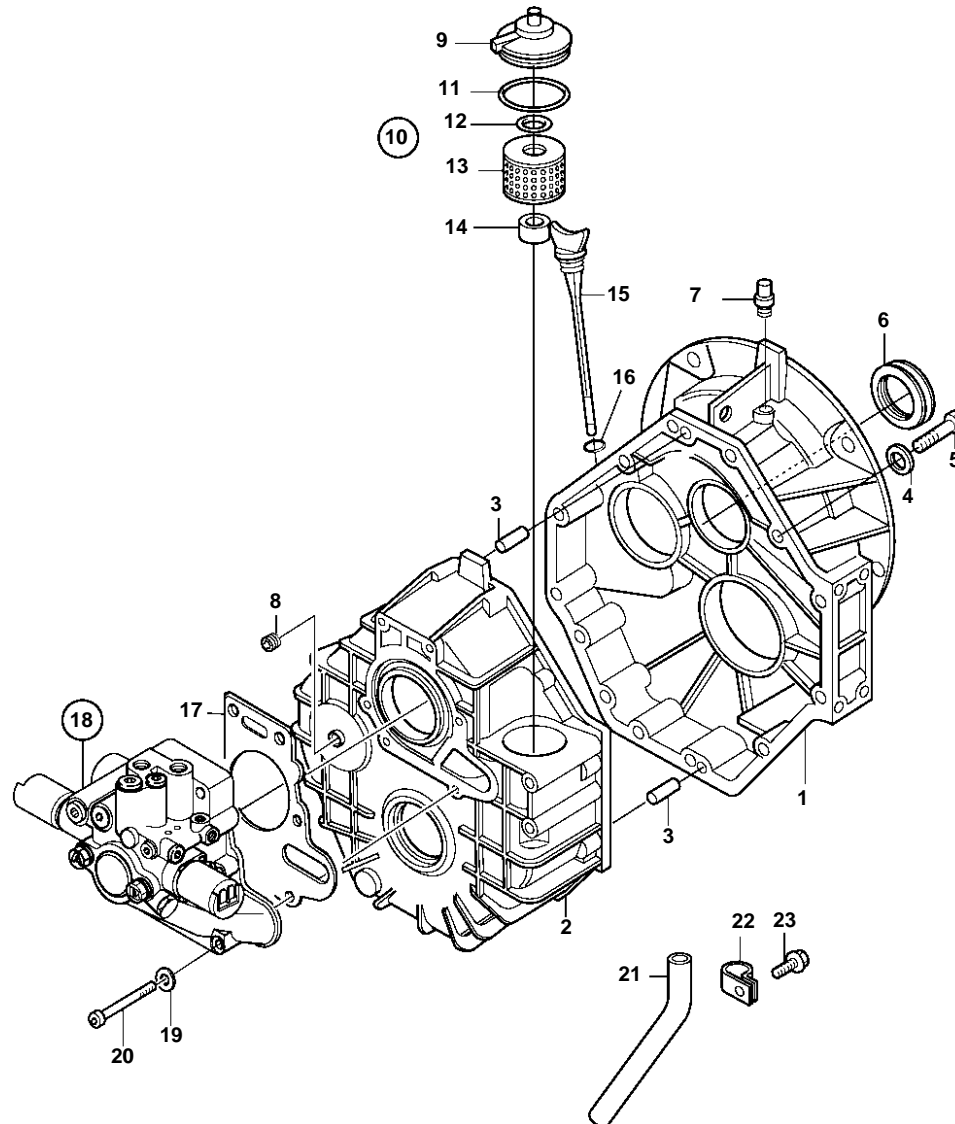


HS80AE-A



20817

HS80AE-A

REF	PART NO.	QTY	DESCRIPTION	SEE SEC.
1	3584175	1	Housing	
2	3584171	1	Housing	
3	3582045	2	Pin	
4	941908	14	Spring washer	
5	970949	14	Screw	
6	3582047	1	Seal	
7	3582050	1	Valve	
8	3581973	1	Plug	
9	3582063	1	Cover	
10	3582069	1	Oil filter	
11	3582065	1	· O-ring	
12	3582064	1	· O-ring	
13		1	· Oil filter	
14	3582049	1	Bushing	
15	3584176	1	Oil dipstick	
16	3582203	1	· O-ring	
17	3582046	1	Gasket	
18	3582188	1	Valve	
				4414
19	941907	6	Spring washer	
20	941761	6	Screw	
21	3584173	1	Suction pipe	
22	3582202	1	Clamp	
23	942001	1	Screw	