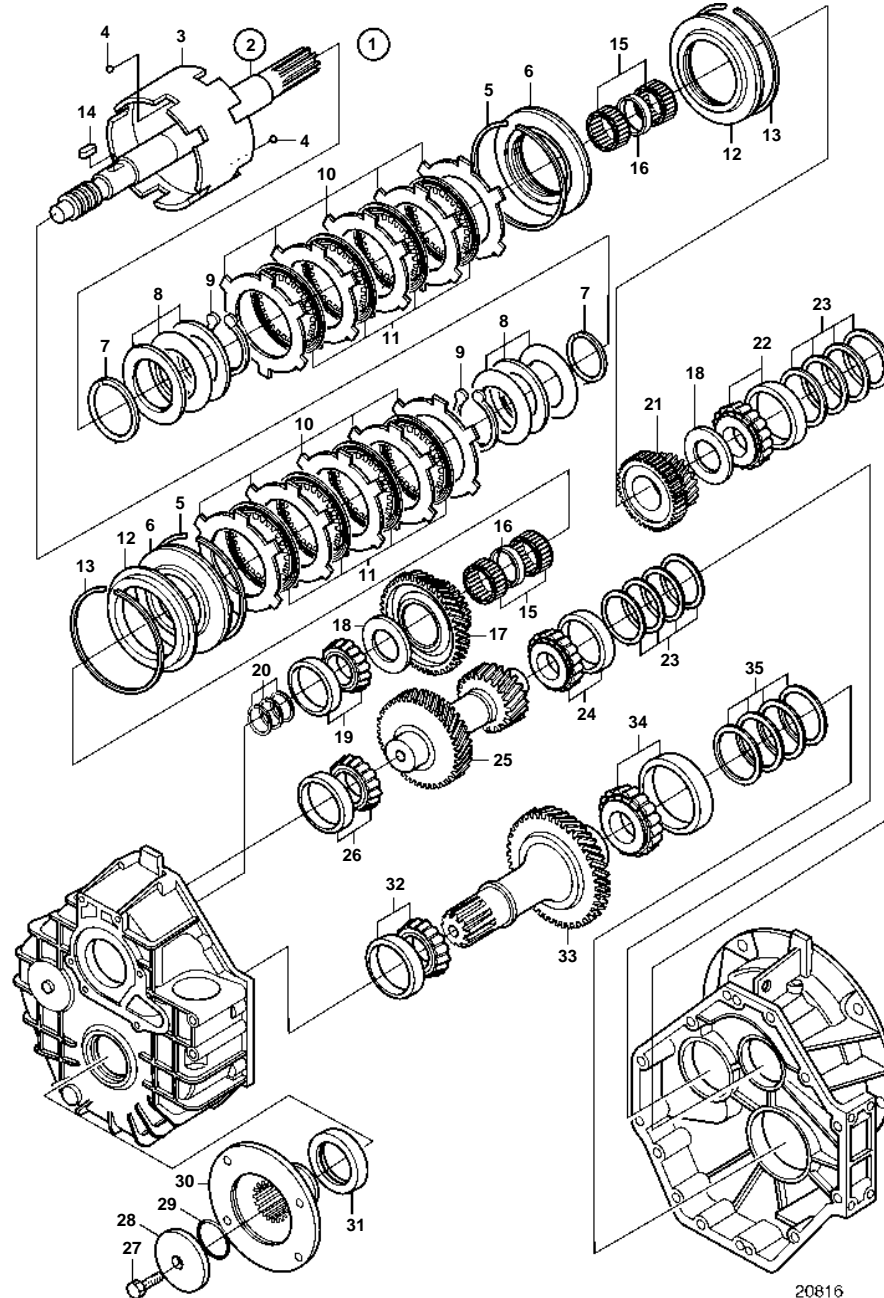


HS80AE-A



HS80AE-A

REF	PART NO.	QTY	DESCRIPTION		NOTES
1	3584279	1	Reversing gear	NS	RATIO 1.57:1
	3584016	1	Reversing gear	NS	RATIO 1.96:1
	3584017	1	Reversing gear	NS	RATIO 2.50:1
2	3584182	1	· Shaft		
3	3584198	1	· · Shaft		
4	3582113	2	· · Ball		
5	3582109	2	· · Ring		
6	3582107	2	· · Piston		
7	3582111	2	· · Ring		
8	3584029	6	· · Spring		
9	3582116	2	· · Ring		
10	3582101	12	· · Disc		
11	3582099	10	· · Disc		
12	3582105	2	· · Pressure plate		
13	3582103	2	· · Snap ring		
14	3582089	1	· Key		
15	3582177	4	· Needle bearing		
16	3584191	2	· Spacer		
17	3584192	1	· Gear		
18	3584180	2	· Ring		
19	183648	1	· Roller bearing		
20	3582087	3	· Piston ring		
21	3584384	1	· Gear		RATIO 1.57:1
	3584192	1	· Gear		RATIO 1.96:1
	3584195	1	· Gear		RATIO 2.50:1
22	3584387	1	· Bearing		
23	3584183	X	· Shim		TH = 0,10mm
	3584184	X	· Shim		TH = 0.15mm
	3584185	X	· Shim		TH=0,20mm
	3584186	X	· Shim		TH = 0,50mm
	3584187	X	· Shim		TH = 1,00mm
24	11137	1	· Roller bearing		
25	3584385	1	· Countershaft		RATIO 1.57:1
	3584193	1	· Countershaft		RATIO 1.96:1
	3584196	1	· Countershaft		RATIO 2.50:1
26	184083	1	· Roller bearing		
27	955365	1	· Screw		
28	3584179	1	· Washer		
29	3584178	1	· O-ring		
30	3584177	1	· Flange		
31	3584172	1	· Seal		
32	11075	1	· Roller bearing		
33	3584386	1	· Shaft		RATIO 1.57:1
	3584194	1	· Shaft		RATIO 1.96:1
	3584197	1	· Shaft		RATIO 2.50:1
34	184694	1	· Roller bearing		

