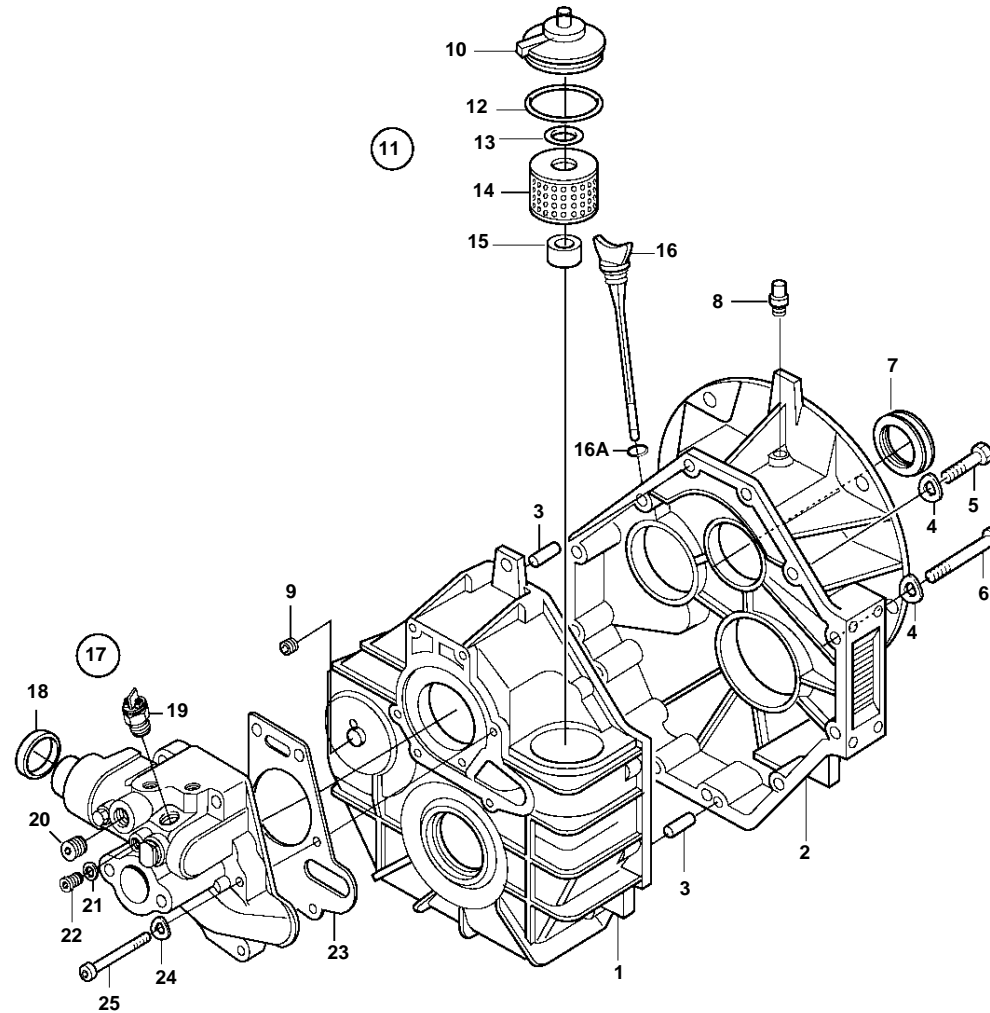


HS45A-A



## HS45A-A

REF	PART NO.	QTY	DESCRIPTION		NOTES
1	3582059	1	Housing	SO	
2	3582056	1	Housing		
3	3582044	2	Pin		
4	941908	12	Spring washer		
5	970949	8	Screw		
6	947790	4	Flange screw		(970958)
7	3582047	1	Seal		
8	3582050	1	Valve		
9	3581973	1	Plug		
10	3582063	1	Cover		
11	3582069	1	Oil filter, kit		
12	3582065	1	· O-ring		
13	3582064	1	· O-ring		
14		1	· Oil filter		
15	3582049	1	Bushing		
16	3582067	1	Dipstick		
16A		1	· O-ring		
17	3582054	1	Pump		
18	3582053	1	· Bushing		
19	873948	1	· Switch		
20	968145	1	· Plug		
21	957173	1	· Gasket		
22	3582248	1	· Plug		
23	3582046	1	Gasket		
24	941907	6	Spring washer		
25	955298	6	Screw		