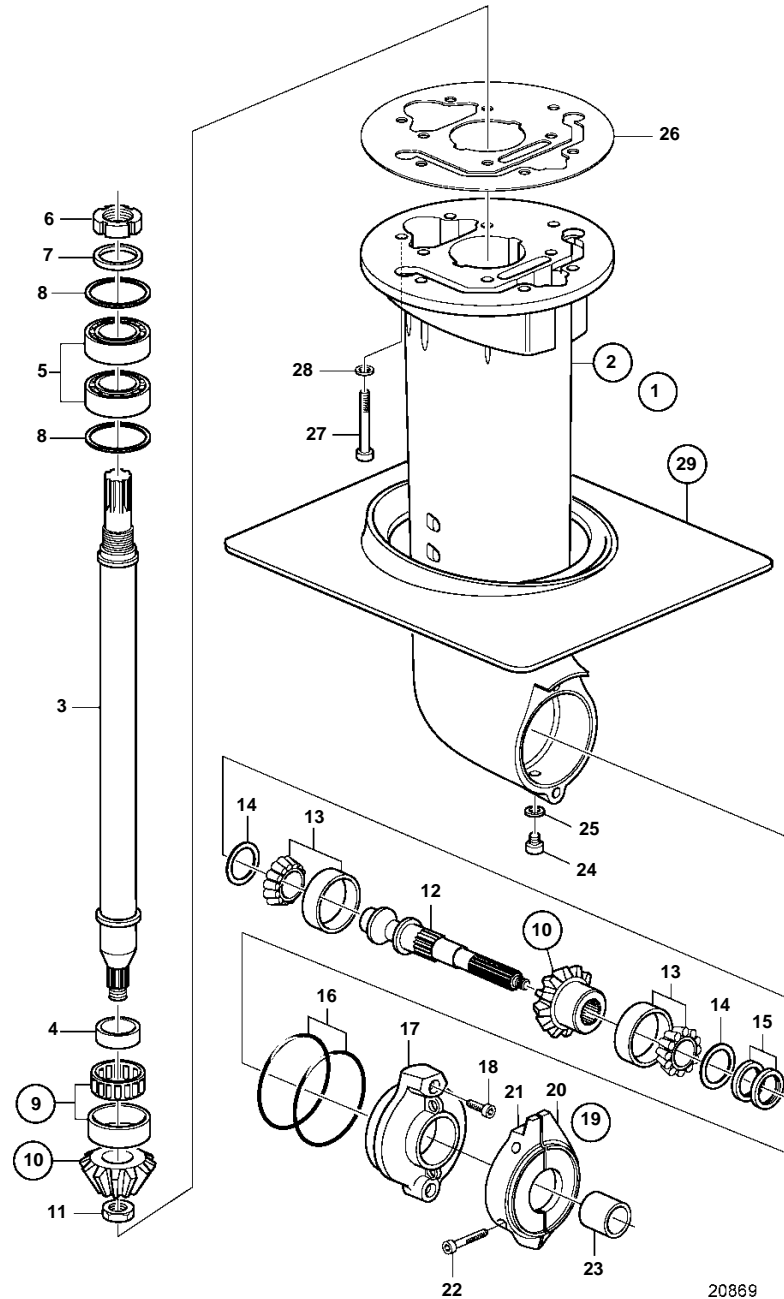


130S-A, 130SR-A



Upd: 21 NOV 2005

20869

20869

7739840 - 44 - 7618

130S-A, 130SR-A

REF	PART NO.	QTY	DESCRIPTION	NOTES
1	3589557	1	Gear under	
2	3584492	1	• Gear housing	
3	3808719	1	• • Shaft	
4	889736	1	• Inner ring	
5	11041	2	• Roller bearing	
6	3586672	1	• Lock nut	
7	889738	1	• Spacer ring	
8	3586729	X	• Shim	TH = 0,10mm
	3582874	X	• Shim	TH = 0.15mm
	3582875	X	• Shim	TH=0,20mm
	3586730	X	• Shim	TH = 0,50mm
	3586731	X	• Shim	TH = 1,00mm
9	3586323	1	• Needle bearing	
10	3583362	1	• Gear set	SO RATIO 2.47:1
11	3582885	1	• Nut	
12	3582888	1	• Shaft	
13	181589	2	• Roller bearing	
14	3582477	X	• Shim	TH = 0,10mm
	3582478	X	• Shim	TH = 0.15mm
	3582876	X	• Shim	TH=0,20mm
	3582479	X	• Shim	TH = 0,30mm
	3583347	X	• Shim	TH = 0,50mm
	3582480	X	• Shim	TH = 1,00mm
15	873108	2	• Sealing ring	
16	889672	2	• O-ring	
17	3584278	1	• Bearing housing	
18	946541	2	• Screw	L=25mm
19	3586963	1	• Anode kit	
20		1	• • Anode	
21		1	• • Anode	LEFT
22	963688	2	• • Allen head screw	L=40mm
23	3582887	1	• Spacer	
24	3854539	1	• Plug	
25	3855081	1	• • O-ring	
26	3586693	1	Gasket	
27	963700	2	Allen head screw	
28	941670	2	Washer	
29	3583365	1	Mounting kit	