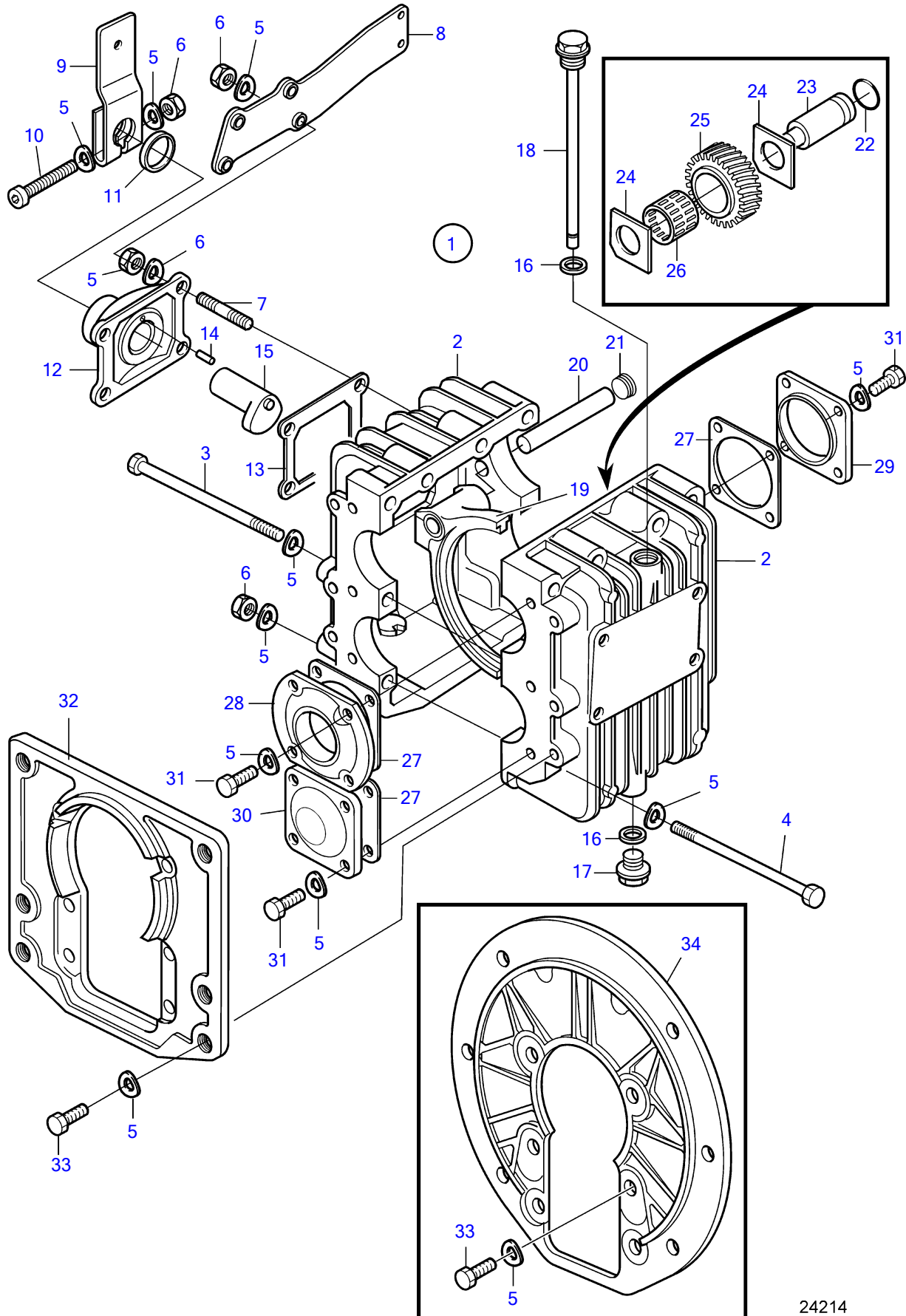


MS10A-A, MS10A-B



24214

MS10A-A, MS10A-B

REF	PART NO.	QTY	DESCRIPTION	NOTES
1	3582387	1	Reversing gear	MS10A-A, ratio 2.35:1
	3809120	1	Reversing gear kit	MS10A-B, ratio 2.35:1
2		1	• Housing	
3	940129	7	• Hexagon screw	
4		3	• Screw	M8x120mm
5	941907	39	• Spring washer	
6	955782	12	• Hexagon nut	
7	980289	4	• Stud	
8	3586718	1	• Bracket	(3582614)
9	3586320	1	• Engagement lever	(3581965)
10	955298	1	• Hexagon screw	
11	3581966	1	• Sealing	
12	3582550	1	• Cover	
13	3581982	1	• Gasket	
14		1	• Locating pin	
15	3581969	1	• Cam	
16	957179	2	• Gasket	
17	3582174	1	• Plug	
18	3582552	1	• Dipstick	
19	3582551	1	• Shift yoke	
20	3582463	1	• Fork shaft	Replaced by service kit 40005267
21	3581973	1	• Plug	
22	3582630	1	• O-ring	
23	3582553	1	• Shaft	
24	3582554	2	• Plate	
25	3582555	1	• Gear	
26	3582556	1	• Cage	
27	3582557	3	• Gasket	
28	3582547	1	• Cover	
29	3582549	1	• Cover	
30		1	• Cover	
31	955294	12	• Hexagon screw	
32	3582615	1	• Plate	
33	955295	6	• Hexagon screw	
34	3819841	1	Adapter	For MS10A-B