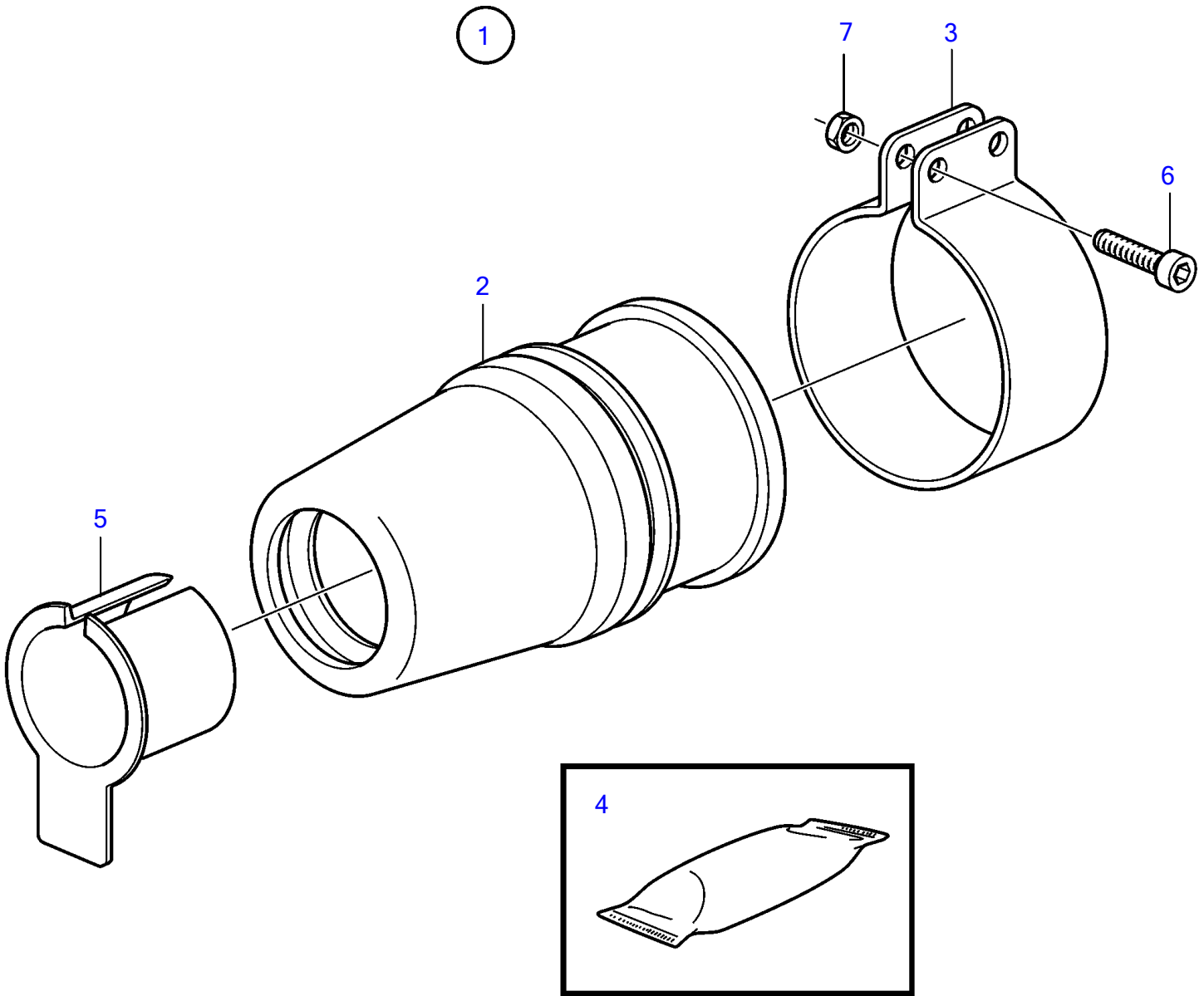


MS10A-A, MS10A-B, MS10L-A, MS10L-B, MS15A-A, MS15A-B, MS15L-A, MS15L-B, MS25A-A, MS25L-A



6147

MS10A-A, MS10A-B, MS10L-A, MS10L-B, MS15A-A, MS15A-B, MS15L-A, MS15L-B, MS25A-A, MS25L-A

REF	PART NO.	QTY	DESCRIPTION	SEE SEC.	NOTES
1	828254	1	Sealing • Bulletin P-44-6-1	P-44-6-1-EN	D=25mm Rubber Stuffing Box
1	828422		Sealing • Bulletin P-44-6-1	P-44-6-1-EN	D=30mm Rubber Stuffing Box
2		1	• Sealing sleeve		
3	828142	1	• Clamp		
	828418	1	• Clamp		
4	828250	1	• Lubricating grease • Bulletin P-18-4-6	P-18-4-6-EN	Water resistant grease for grease gun
5		1	• Sleeve		
6	963684	2	• Hex. socket screw		
7	966170	2	• Lock nut		