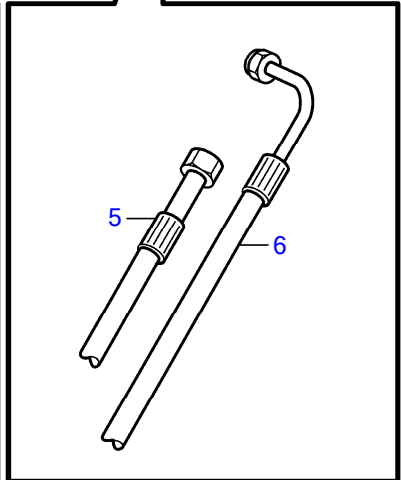
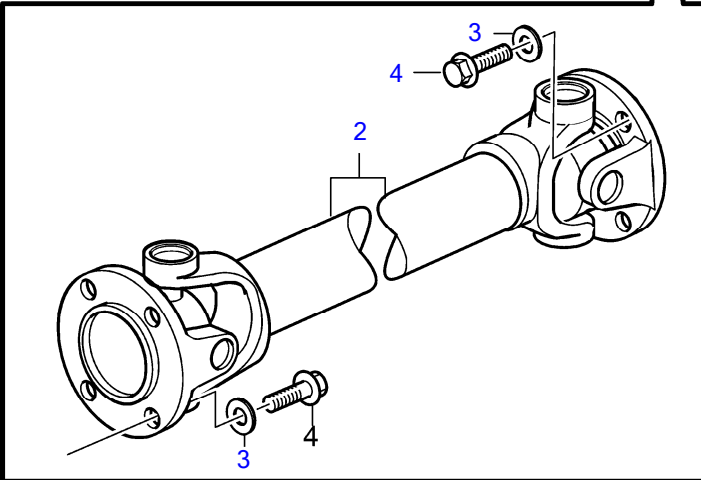
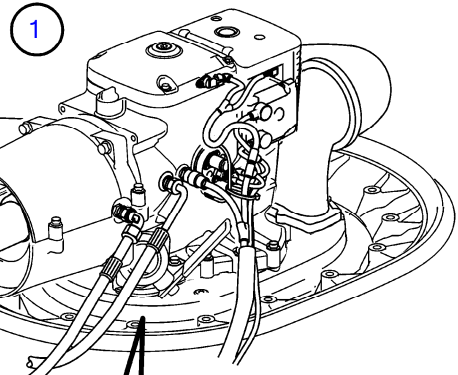
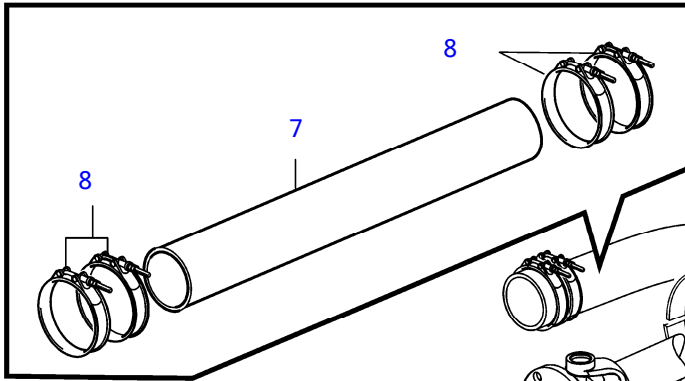
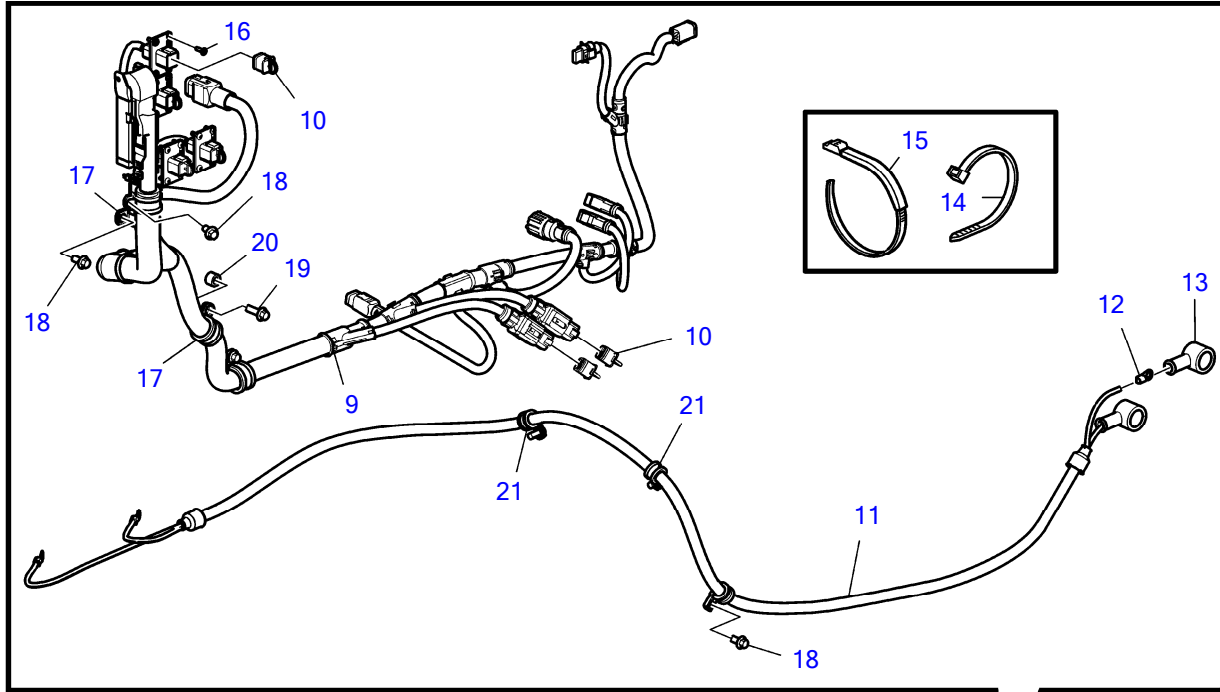


IPS30-D



29325

IPS30-D

REF	PART NO.	QTY	DESCRIPTION	NOTES
1	(21446036)	1	Extension kit	Obsolete part
2	3889350	1	• Propeller shaft	
3	955897	8	• Washer	
4	984817	8	• Flange screw	
5	21356940	1	• Hose, oil cooler	L=2200mm
6	3889337	1	• Hose, oil cooler	L=1600mm
7	21227462	1	• Exhaust hose	8"
8	21609813	4	• Hose clamp	
9	22023239	1	• Wiring harness	L=1700mm
	22023244	1	• Wiring harness	Option, L=5500mm
10	3840433	6	• Sealing plug	
11	3594042	1	• Wiring harness, power supply	
12	940336	2	• • Terminal	
13	(3588539)	2	• • Protective cap	Obsolete part
14	948211	10	• Cable tie	
15	1075407	3	• Cable tie	
16	994923	16	Six point socket scr	
17	947827	4	Clamp	
18	984733	2	Flange screw	
19	984735	2	Flange screw	
20	843075	2	Spacer sleeve	
21	949747	3	Clamp	