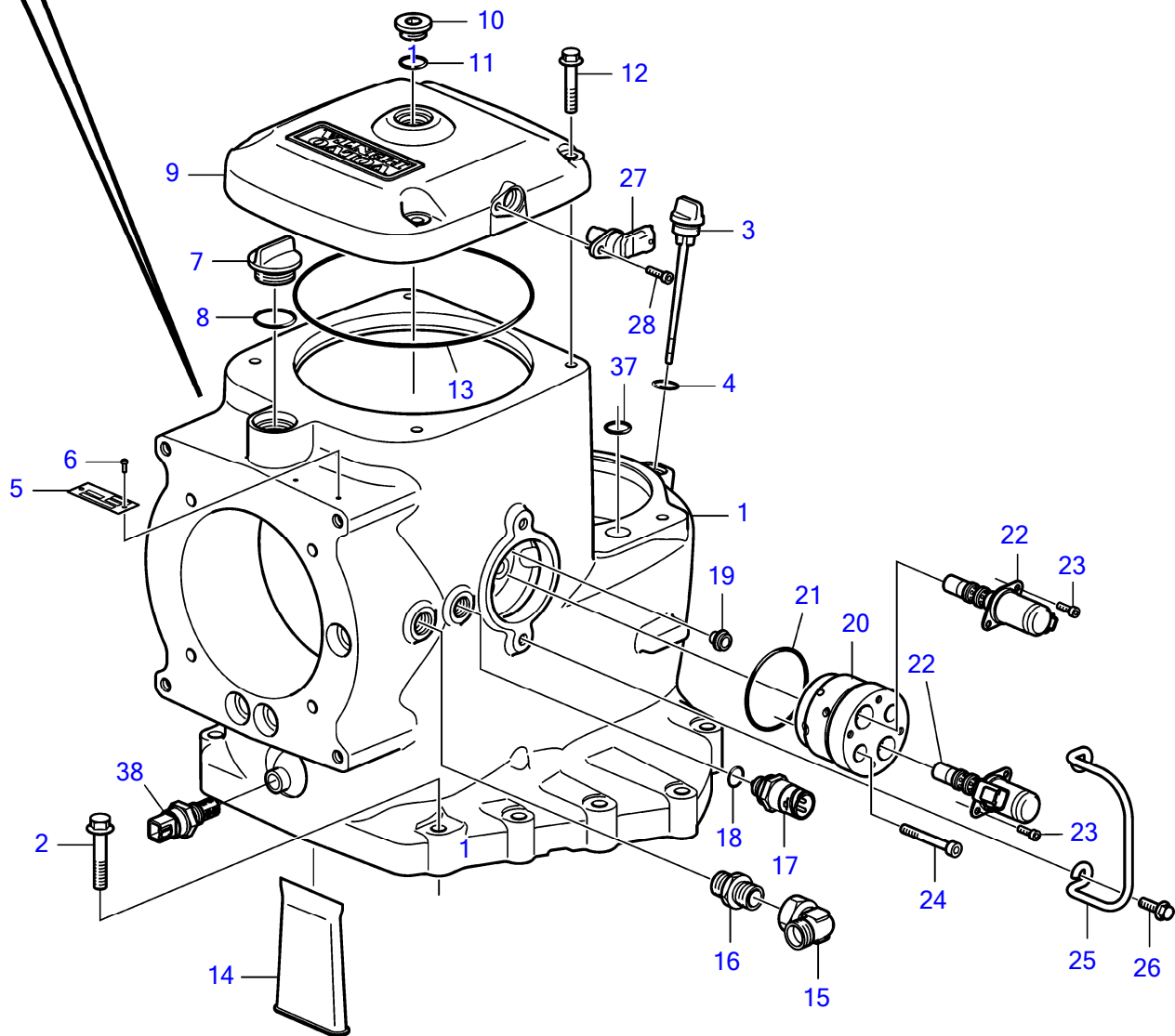
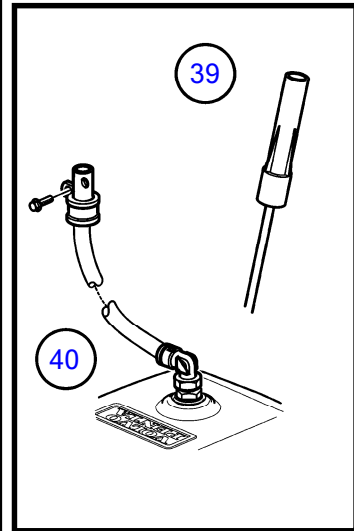
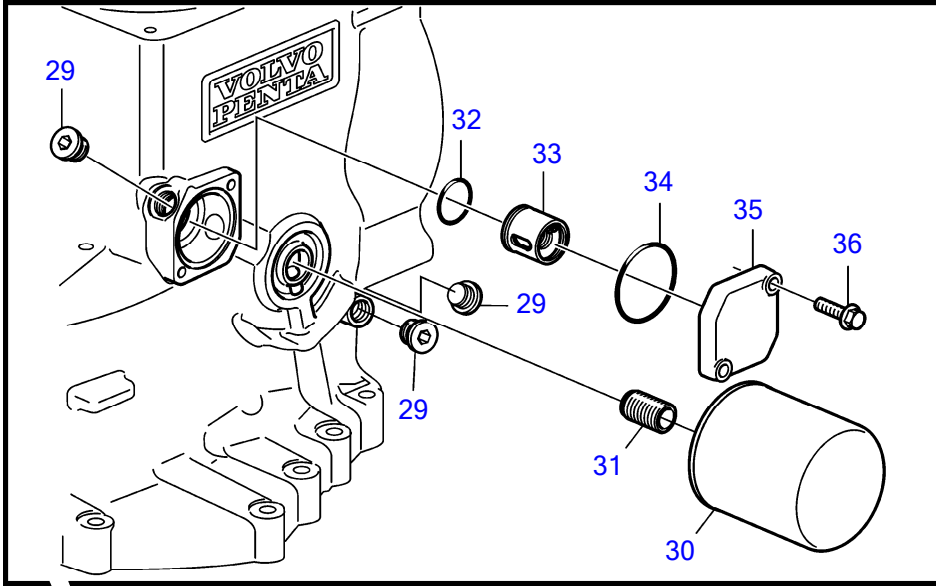


IPS3-A



IPS3-A

REF	PART NO.	QTY	DESCRIPTION	NOTES
1	3801548	1	Upper gear, exch, exch	
	21790127	1	Upper gear	SN-3950005743
2	991609	10	• Flange screw	
3	21697751	1	• Dipstick	
4	949656	1	• O-ring	
5	3817315	1	• Type plate	
6	804269	2	• Drive screw	
7	840559	1	• Cover	
8	949659	1	• O-ring	
9	3842939	1	• Cover	
10	3889952	1	• Plug	
11	949656	1	• O-ring	
12	991607	4	• Flange screw	
13	993307	1	• O-ring	
14	3849894	1	• Oil strainer	
15	992197	1	• Elbow nipple	
16	992036	1	• Nipple	
17	874313	1	• Sensor, oil pressure/temperature	
18	968559	1	• O-ring	
19	422413	6	• Sealing ring	
20	21260636	1	• Valve housing	
21	974584	1	• O-ring	
22	11418522	2	• Valve	
23	963677	4	• Hex. socket screw	
24	963703	2	• Hex. socket screw	
25	3861876	1	• Protecting brace	
26	991606	2	• Flange screw	
27	21123875	1	• Sensor	
28	963684	1	• Hex. socket screw	
29	992119	3	• Plug	
30	23005191	1	• Oil filter	New oil filter with a higher filtration
31	423067	1	• Nipple	
32	949659	1	• O-ring	
33	3847325	1	• Valve housing, complete	
34	967343	1	• O-ring	
35	(3885069)	1	• Cap, valve cover	Obsolete part
36	992246	2	• Flange screw	M10x30
37	949657	1	• O-ring	
38	21174634	1	• Sensor	
39	22349391	1	• Hose	Kit for draining the oil at sea
40	22349393	1	• Air vent hose	Kit for air bleeder