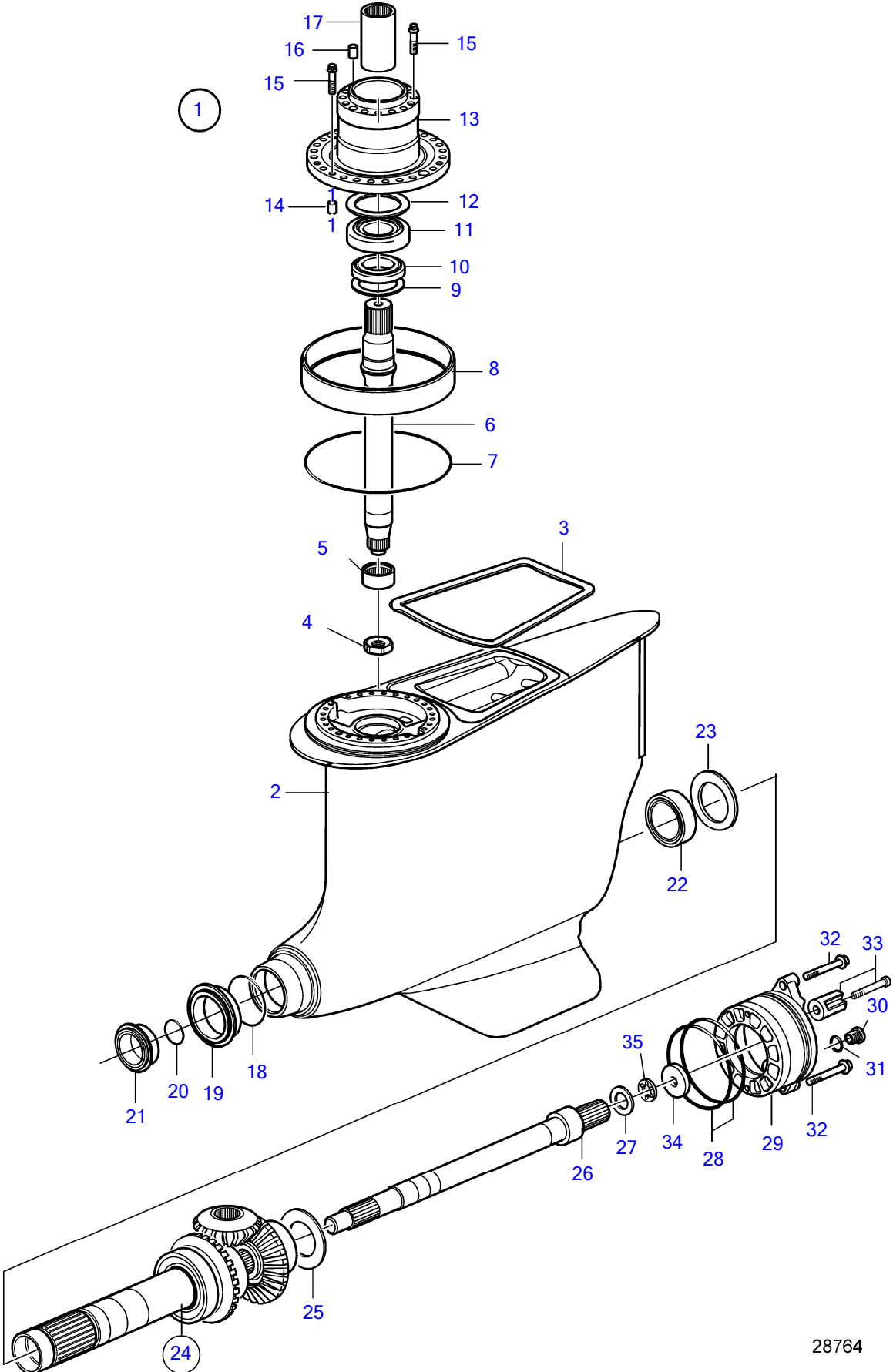


IPS2-C



28764

IPS2-C

REF	PART NO.	QTY	DESCRIPTION	SEE SEC.	NOTES
1	40005348	1	Lower gear		Ratio 1.59:1
	3801240	1	Lower gear, exch, exch		Ratio 1.59:1
	3801240	1	Lower gear, exch		Ratio 1.59:1, Replaced by 3801721
	3801721	1	Lower gear, exch		
			• Bulletin p-44-0-102	p-44-0-102-EN	Factory Remanufactured complete IPS Exchange drives
1	21757950	1	Lower gear		Ratio 1.70:1
	3801473	1	Lower gear, exch		Ratio 1.70:1, Replaced by 3801722
	3801722	1	Lower gear, exch		
			• Bulletin p-44-0-102	p-44-0-102-EN	Factory Remanufactured complete IPS Exchange drives
1			• Intermediate housing		Included in Lower gear
			•	41364	
2	(3818419)	1	• Gear housing		Obsolete part
3	3840978	1	• Seal		
4	3840628	1	• Nut		
5	183859	1	• Needle roller bushin		
6	3840633	1	• Shaft		
7	992376	1	• O-ring		
8	21965725	1	• Ring		
9	991097	X	• Shim		
	991098	X	• Shim		
	991099	X	• Shim		
10	991173	1	• Roller bearing		
11	184660	1	• Roller bearing		
12	991100	X	• Shim		TH=0,10mm
	991101	X	• Shim		TH=0.15mm
	991102	X	• Shim		TH=0.35mm
13	3818633	1	• Steering head		
14	3862569	1	• Guide sleeve		
15	3860364	26	• Screw		
16	3862569	1	• Guide sleeve		
17	21697729	1	• Splined sleeve		
18	949647	1	• • O-ring		
19	21441235	1	• Seal		
20	976043	1	• O-ring		
21	21441233	1	• Seal		
22	993987	1	• Needle roller bearin		
23	991008	X	• Shim		TH=0,10mm
	991009	X	• Shim		TH=0.15mm
	991010	X	• Shim		TH=0.35mm
24	21584141	1	• Gear set		Ratio 1.59:1
	21757311	1	• Gear set		Ratio 1.70:1
25	991005	X	• Shim		TH=0,10mm
	991006	X	• Shim		TH=0.15mm
	991007	X	• Shim		TH=0.35mm
26	3819139	1	• Shaft		
27	22744268	X	• Adjusting washer		TH=2,80mm
	3840474	X	• Adjusting washer		TH=2,85mm
	3840475	X	• Adjusting washer		TH=2,90mm
	3840476	X	• Adjusting washer		TH=3,00mm
	3840477	X	• Adjusting washer		TH=3,05mm
	22744269	X	• Adjusting washer		TH=3,10mm
	3848749	X	• Adjusting washer		TH=3,15mm
	22890460	X	• Adjusting washer		TH=3,50mm
28	975315	2	• O-ring		
29	(3818421)	1	• Bearing box		Obsolete part
30	949656	1	• O-ring		
31	3847669	1	• Plug		
32	991609	2	• Flange screw		
33	3593981	1	• Anode kit, cast iron		
34	8171169	1	Magnet		
35	945719	1	Retainer		