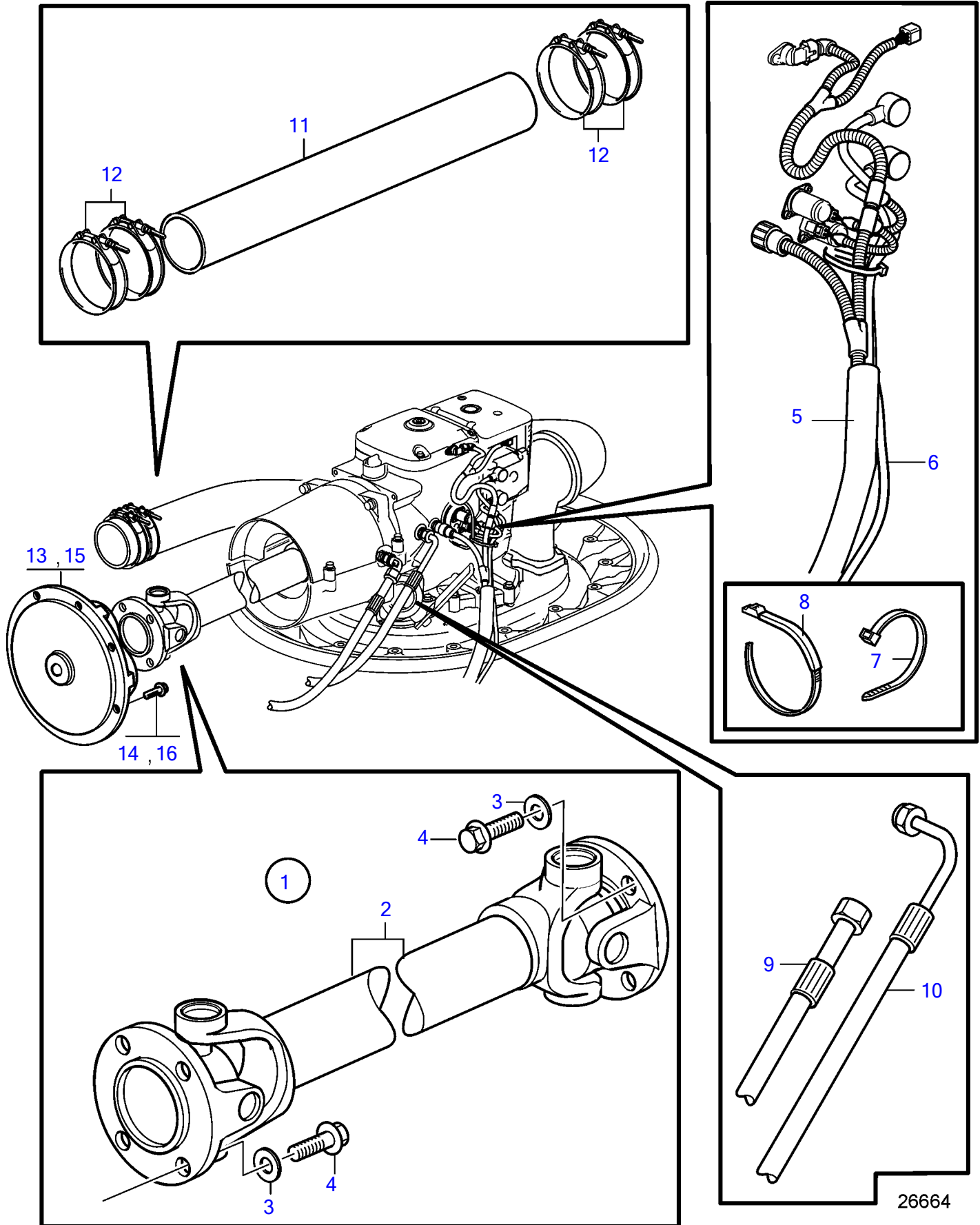


IPS2-A



26664

IPS2-A

| REF | PART NO.  | QTY | DESCRIPTION                    | NOTES                |
|-----|-----------|-----|--------------------------------|----------------------|
| 1   | (3594629) | 1   | Extension kit                  | Obsolete part        |
| 2   | 3889351   | 1   | • Propeller shaft              |                      |
| 3   | 955897    | 8   | • Washer                       |                      |
| 4   | 991609    | 8   | • Flange screw                 |                      |
| 5   | 21493367  | 1   | • Wiring harness               |                      |
| 6   | 3594042   | 1   | • Wiring harness, power supply |                      |
| 7   | 948211    | 10  | • Cable tie                    |                      |
| 8   | 1075407   | 1   | • Cable tie                    |                      |
| 9   | 3889337   | 1   | • Hose, oil cooler             |                      |
| 10  | 3889337   | 1   | • Hose, oil cooler             |                      |
| 11  | 3889326   | 1   | • Hose                         | 6"                   |
| 12  | 3595350   | 4   | • Hose clamp                   |                      |
| 13  | 3593770   | 1   | Flexible coupling              | Replaced by 21931952 |
| 14  | 965188    | 8   | Flange screw                   | M10X70, For 3593770  |
| 15  | 21931952  | 1   | Flexible coupling              |                      |
| 16  | 984755    | 8   | Flange screw                   | M10X40, For 21931952 |