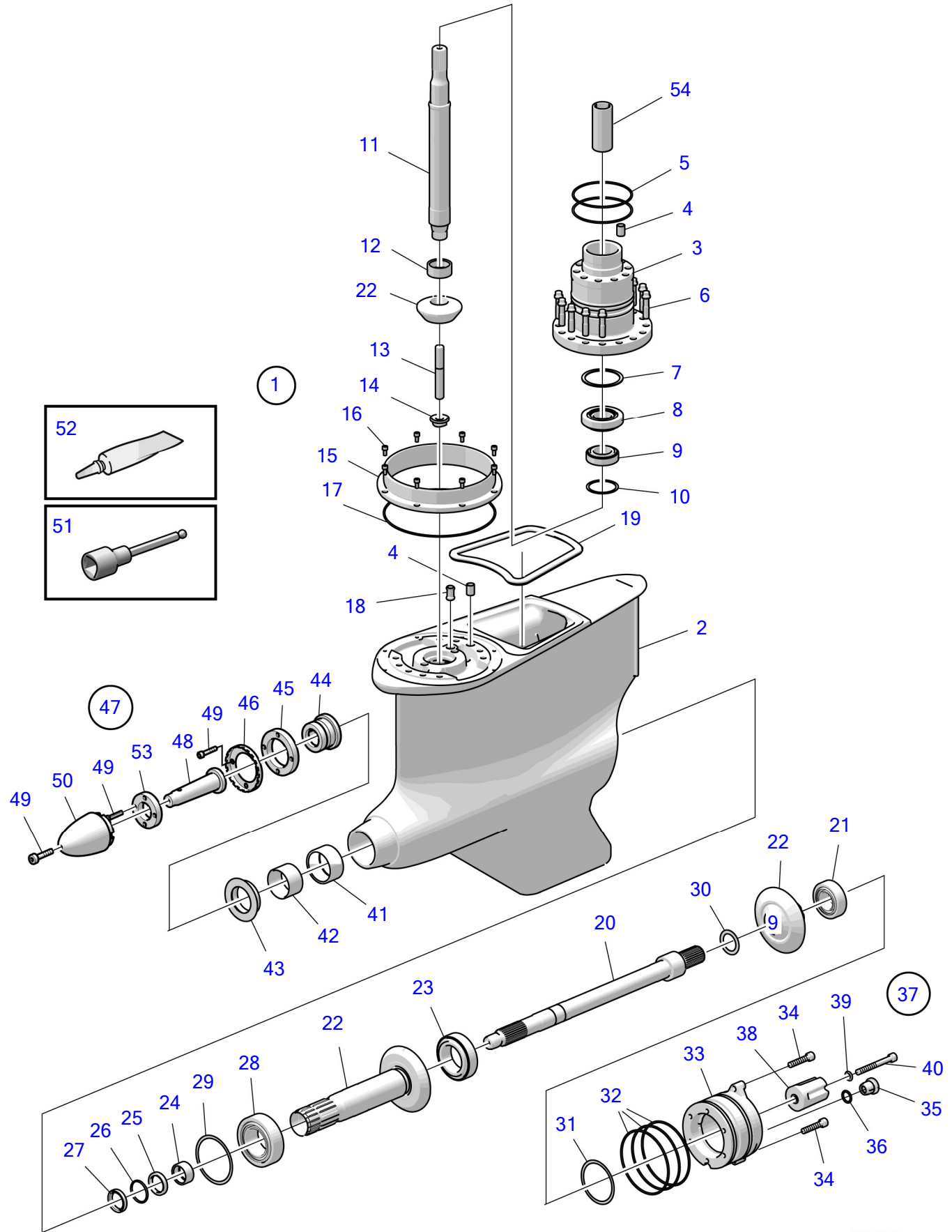


IPS10-A



IPS10-A

REF	PART NO.	QTY	DESCRIPTION	SEE SEC.	NOTES
1			Lower Gear		
2		1	• Gear housing		
3	23486998	1	• Steering knuckle		
4	3862569	2	• Guide sleeve		
5	925261	2	• O-ring		
6	3860364	10	• Screw		
7	983155	X	• Shim		TH=0.10mm
	983156	X	• Shim		TH=0.15mm
	983157	X	• Shim		TH=0.35mm
	60114046	X	• Shim		TH=0,22mm
8	3850852	1	• Bearing		
9	183647	1	• Roller bearing		
10	983152	X	• Shim		TH=0.10mm
	983153	X	• Shim		TH=0.15mm
	983154	X	• Shim		TH=0.35mm
11	22776193	1	• Shaft		
12	184078	1	• Needle roller bearin		
13	23111816	1	• Stud		
14	22826935	1	• Nut		
15	21569077	1	• Ring		
16	963694	8	• Hex. socket screw		
17	968241	1	• O-ring		
18	22846479	1	• Sealing sleeve		
19	3586568	1	• Seal		
20		1	• Shaft		
21	184849	1	• Roller bearing		
22		1	• Gear set		
23	183840	1	• Roller bearing		
24	184852	1	• Needle roller bushin		
25	3842286	1	• Sealing ring		
26	23090520	1	• Spacer		
27	3842288	1	• Sealing ring		
28	184659	1	• Roller bearing		
29	983161	X	• Shim		TH=0.10mm
	983162	X	• Shim		TH=0.15mm
	983163	X	• Shim		TH=0.35mm
30	3841055	X	• Adjusting washer		TH=1,95mm
	3841056	X	• Adjusting washer		TH=2.00mm
	3841057	X	• Adjusting washer		TH=2.10mm
	3841058	X	• Adjusting washer		TH=2.15mm
31	983158	X	• Shim		TH=2.00mm
	983159	X	• Shim		TH=2.10mm
	983160	X	• Shim		TH=2.15mm
	60114047		• Shim		
32	925096	2	• O-ring		
33	23012761	1	• Bearing housing		
34	963711	2	• Hex. socket screw		L=50mm
35	22227227	1	• Magnetic plug		
36	949656	1	• O-ring		
37	3593981	1	• Anode kit		
38		1	• • Anode		Included in kit.
39	942551	1	• • Washer		Included in kit.
40		1	• • Hex. socket screw		Included in kit.
41	184850	1	• Needle roller bushin		
42	184851	1	• Inner ring		
43	3842290	1	• Sealing ring kit		
44	3861087	1	• Lock nut		
45	(3861209)	1	• Lock ring		Obsolete part
46	23062729	1	• Line cutter		
47	22077581	1	• Spinner		
48	21293480	1	• • Propeller nut		
49	963699	9	• • Hex. socket screw		
50	22072153	1	• • Spinner		

IPS10-A

REF	PART NO.	QTY	DESCRIPTION	SEE SEC.	NOTES
51	828250	1	• • Lubricating grease		
			• Bulletin P-18-4-6	P-18-4-6-EN	Water resistant grease for grease gun
52	(3863070)	1	• • Tool		Obsolete part
53	3861088	1	• Lock plate		
54	3861201	1	Splined sleeve		