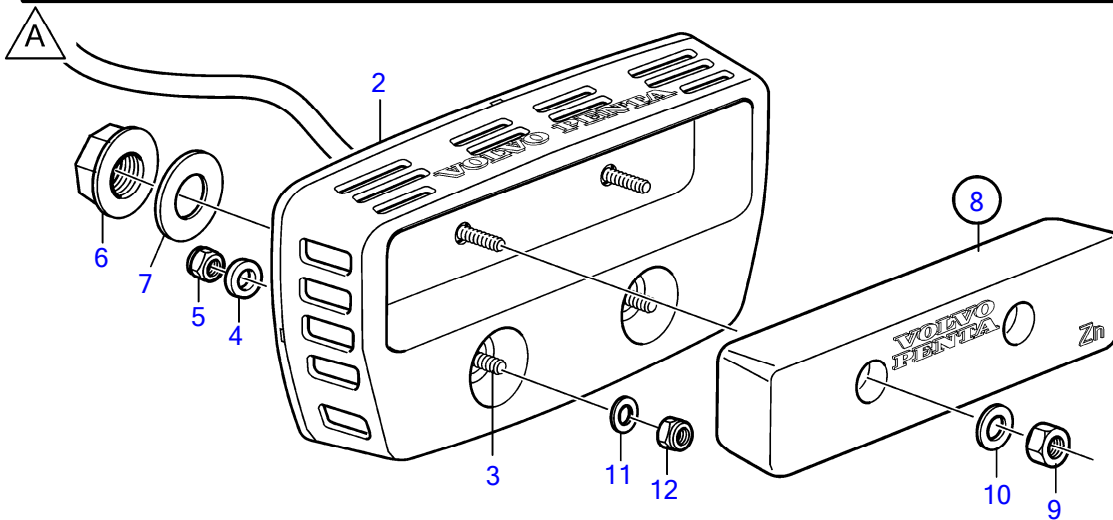
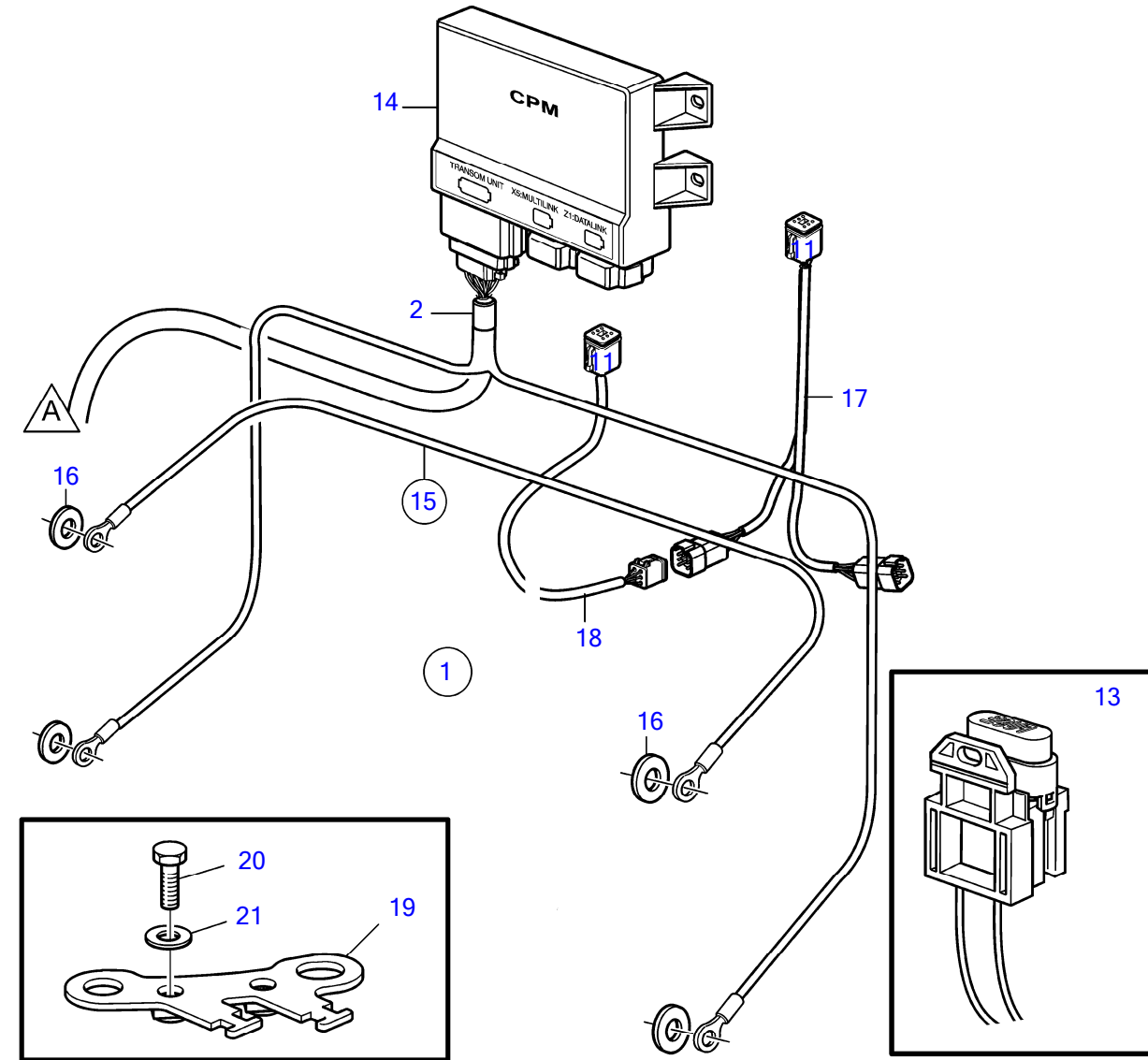


IPS10-A



## IPS10-A

REF	PART NO.	QTY	DESCRIPTION	NOTES
1		1	Acp, kit, complete	Only for fiber glass hull
2	21174473	1	• Corrosion protection, kit	
3	21269808	4	• Spacer screw	
4	21158077	4	• Gasket	
5	971089	4	• Lock nut	
6	21155192	1	• Hull fitting	
7	21157128	1	• Shim	
8	21174476	1	• Anode kit, zinc	
9	991657	2	• • Hexagon nut	
10	991658	2	• • Washer	
11	991658	2	• Washer	
12	991657	2	• Hexagon nut	
13	23345633	1	• Fuse holder	5A
14		1	• Electronic unit	
15	21200402	1	• Cable kit	
16	993419	2	• • Washer	
17	3588206	1	Cable kit, y-split	
18		1	Cable	Multilink
19	23559901	1	Ground terminal	
20	993595	2	Hexagon screw	
21	941670	2	Washer	