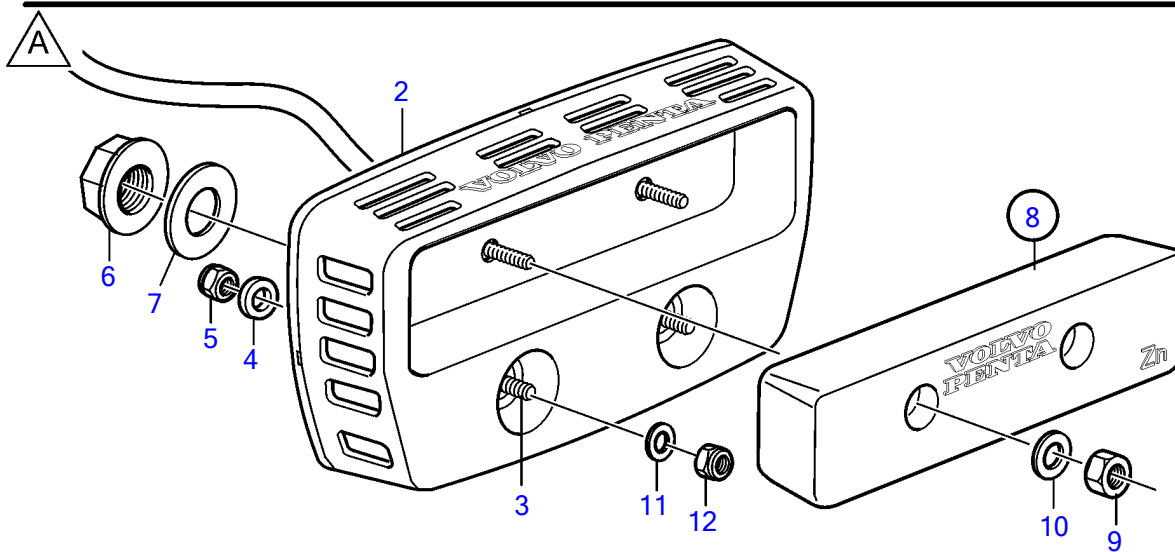
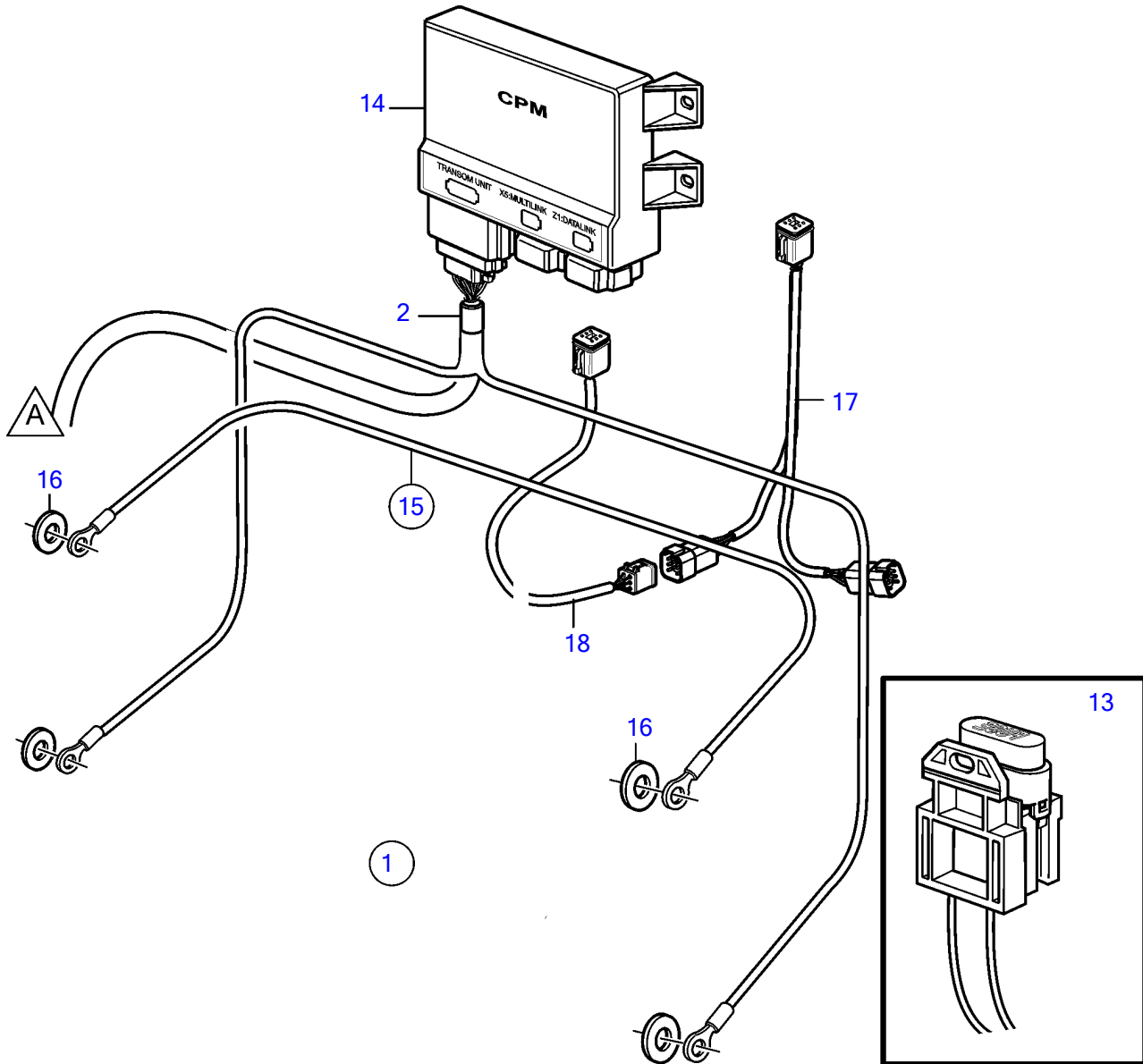


IPS-F



IPS-F

REF	PART NO.	QTY	DESCRIPTION	NOTES
1	21205514	1	Protection against c, complete	Only for fiber glass hull
2	21174473	1	• Protection against c, kit	
3	21106334	4	• Spacer screw	
4	21158077	4	• Gasket	
5	971089	4	• Lock nut	
6	21155192	1	• Hull fitting	
7	21157128	1	• Shim	
8	21174476	1	• Anode kit, zinc	
9	991657	2	• • Hexagon nut	
10	991658	2	• • Washer	
11	991658	2	• Washer	
12	991657	2	• Hexagon nut	
13	873852	1	• Fuse holder	5A
14	21174510	1	• Control unit	
15	21200402	1	• Cable kit	
16	993419	2	• • Washer	
17	3588206	1	Cable kit, y-split	
18		1	Cable	Multilink.

47702000-44-38313

27683

Upd:2014-10-17

IPS-F