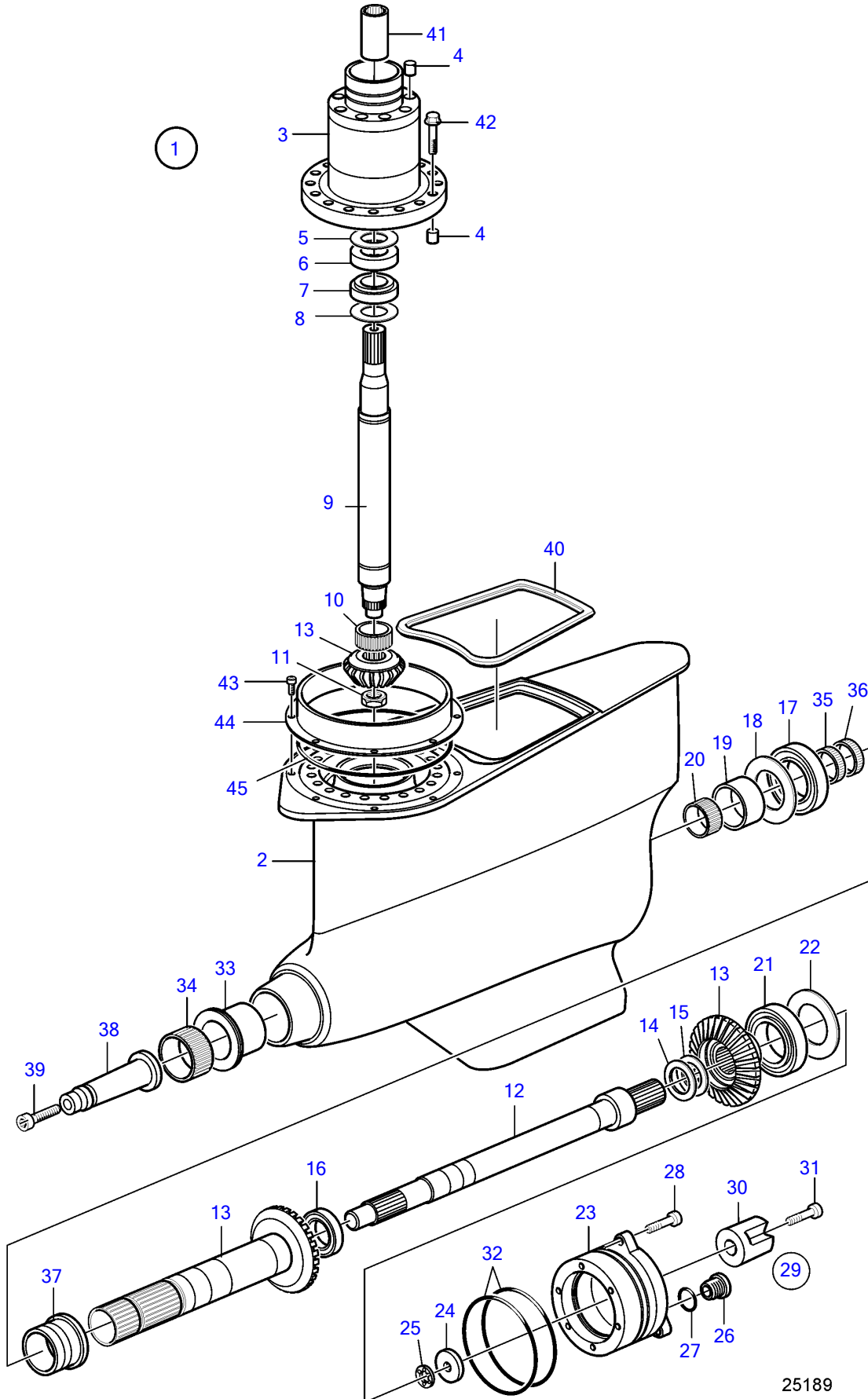


IPS-E



25189

IPS-E

| REF | PART NO.   | QTY | DESCRIPTION            | NOTES                      |
|-----|------------|-----|------------------------|----------------------------|
| 1   | 3801302    | 1   | Lower gear             | Ratio 1.94:1, Ratio 2.08:1 |
| 2   | (21571442) | 1   | • Gear housing         | Obsolete part              |
| 3   | 21521991   | 1   | • Steering knuckle     |                            |
| 4   | 3862569    | 2   | • Guide sleeve         |                            |
| 5   | 983155     | X   | • Shim                 | TH=0.10mm                  |
|     | 983156     | X   | • Shim                 | TH=0.15mm                  |
|     | 983157     | X   | • Shim                 | TH=0.35mm                  |
| 6   | 3850852    | 1   | • Bearing              |                            |
| 7   | 183647     | 1   | • Roller bearing       |                            |
| 8   | 983152     | X   | • Shim                 | TH=0.10mm                  |
|     | 983153     | X   | • Shim                 | TH=0.15mm                  |
|     | 983154     | X   | • Shim                 | TH=0.35mm                  |
| 9   | 3861202    | 1   | • Shaft                |                            |
| 10  | 184078     | 1   | • Needle roller bearin |                            |
| 11  | 3861203    | 1   | • Nut                  |                            |
| 12  | 3863373    | 1   | • Shaft                |                            |
| 13  | 3861171    | 1   | • Gear set             | Ratio 1.82:1               |
|     | 3861176    | 1   | • Gear set             | Ratio 1.94:1, Ratio 2.08:1 |
| 14  | 3841055    | X   | • Adjusting washer     | TH=1,95mm                  |
|     | 3841056    | X   | • Adjusting washer     | TH=2.00mm                  |
|     | 3841057    | X   | • Adjusting washer     | TH=2.10mm                  |
|     | 3841058    | X   | • Adjusting washer     | TH=2.15mm                  |
| 15  | 3841055    | X   | • Adjusting washer     | TH=1,95mm                  |
|     | 3841056    | X   | • Adjusting washer     | TH=2.00mm                  |
|     | 3841057    | X   | • Adjusting washer     | TH=2.10mm                  |
|     | 3841058    | X   | • Adjusting washer     | TH=2.15mm                  |
| 16  | 183840     | 1   | • Roller bearing       |                            |
| 17  | 184659     | 1   | • Roller bearing       |                            |
| 18  | 983161     | X   | • Shim                 | TH=0.10mm                  |
|     | 983162     | X   | • Shim                 | TH=0.15mm                  |
|     | 983163     | X   | • Shim                 | TH=0.35mm                  |
| 19  | 184851     | 1   | • Inner ring           |                            |
| 20  | 184852     | 1   | • Needle roller bushin |                            |
| 21  | 184849     | 1   | • Roller bearing       |                            |
| 22  | 983158     | X   | • Shim                 | TH=0.10mm                  |
|     | 983159     | X   | • Shim                 | TH=0.15mm                  |
|     | 983160     | X   | • Shim                 | TH=0.35mm                  |
| 23  | 3862151    | 1   | • Bearing carrier      |                            |
| 24  | 8171169    | 1   | • Magnet               |                            |
| 25  | 945719     | 1   | • Retainer             |                            |
| 26  | 3847669    | 1   | • Plug                 |                            |
| 27  | 949656     | 1   | • O-ring               |                            |
| 28  | 963711     | 2   | • Hex. socket screw    | L=50mm                     |
| 29  | 3593981    | 1   | • Anode kit            |                            |
| 30  |            | 1   | • • Anode              |                            |
| 31  |            | 1   | • • Hex. socket screw  |                            |
| 32  | 925096     | 2   | • O-ring               |                            |
| 33  | 3842290    | 1   | • Sealing ring kit     |                            |
| 34  | 184850     | 1   | • Needle roller bushin |                            |
| 35  | 3842288    | 1   | • Sealing ring         | Blue                       |
| 36  | 3842286    | 1   | • Sealing ring         | Brown                      |
| 37  | 3861087    | 1   | • Lock nut             |                            |
| 38  | 21293480   | 1   | • Propeller nut        |                            |
| 39  | 963699     | 1   | • Hex. socket screw    |                            |
| 40  | 3586568    | 1   | Sealing                |                            |
| 41  | 3861201    | 1   | Splined sleeve         |                            |
| 42  | 3860364    | 10  | Screw                  |                            |
| 43  | 963694     | 8   | Hex. socket screw      |                            |
| 44  | 21568866   | 1   | Ring                   |                            |
| 45  | 968241     | 1   | O-ring                 |                            |

47701990-44-36255

25189

Upd:2014-12-02

IPS-E

**VOLVO**  
**PENTA**