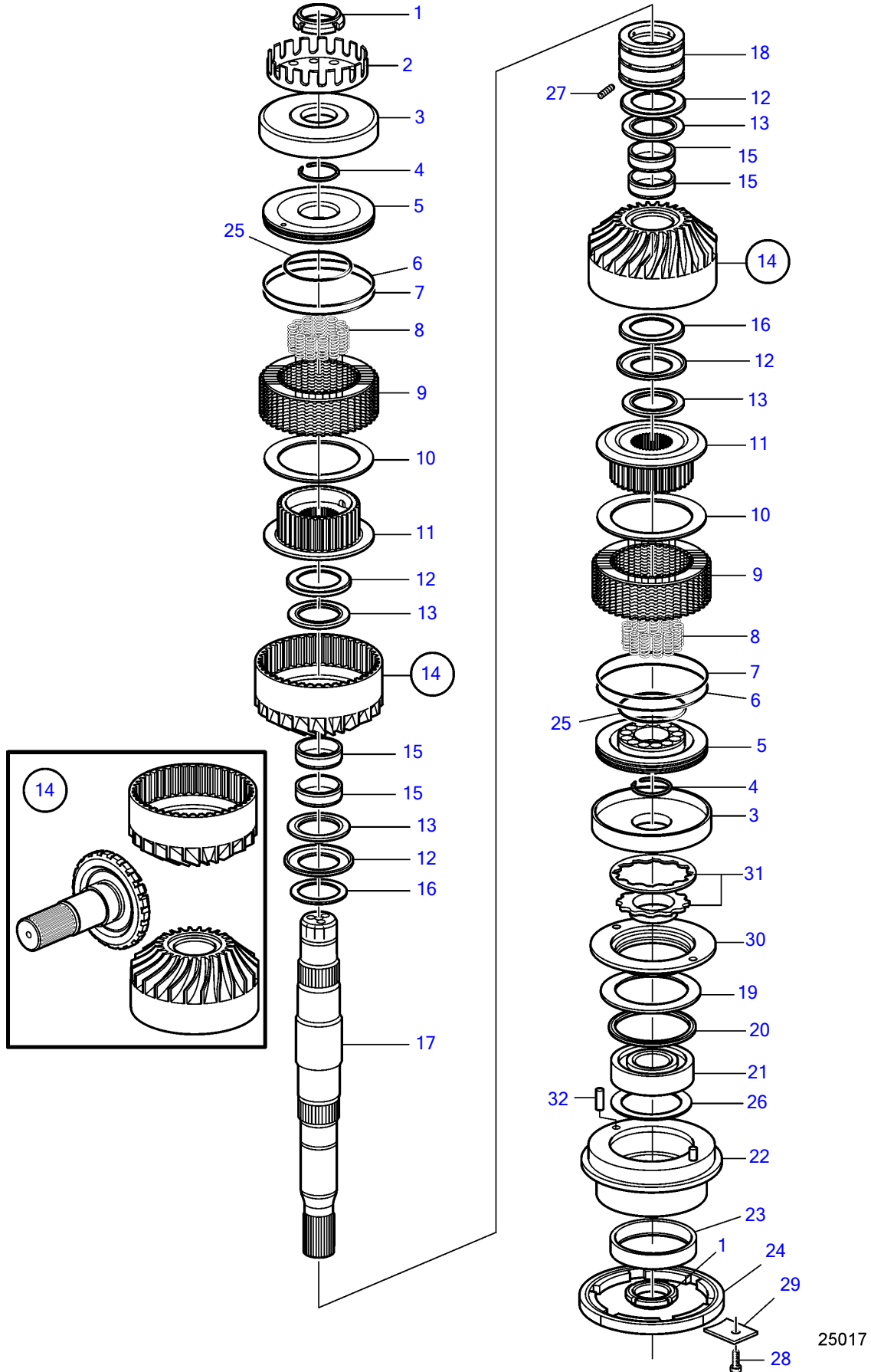


IPS-D



IPS-D

REF	PART NO.	QTY	DESCRIPTION	NOTES
1	969073	2	Round nut	
2	40005199	1	Gear	
3	3594690	2	Cylinder	
4	872522	2	Lock ring	
5	21412527	2	Piston	
6	872563	2	Piston ring	
7	872565	2	O-ring	Included in gasket kit., Included in piston ring kit 3812359.
8	872580	X	Spring	
9	21357719	2	Disc kit	
10	872794	2	Disc spring	
11	21122910	2	Hub	
12	872570	4	Thrust washer	
13	184175	4	Needle roller assemb	
14	3840695	1	Gear set	Ratio 1.82:1, Ratio 1.94:1
	3883417	1	Gear set	Ratio 2.08:1
15	184798	4	Needle roller assemb	
16	872581	2	Spring washer	
17	21963400	1	Shaft	
18	3842438	1	Bearing	
19	3594688	1	Washer	
20	3861877	1	Snap ring	
21	11025	1	Ball bearing	
22	3595172	1	Bearing housing	
23	3861820	1	Bearing	
24	3862453	1	Tensioning ring	
25	977891	2	O-ring	
26	983164	X	Shim	TH=0.10mm
	983165	X	Shim	TH=0.15mm
	983166	X	Shim	TH=0.35mm
27	962970	1	Set screw	
28	941792	1	Hex. socket screw	Use locking fluid.
29	3819176	1	Lock tab	
30	3594684	1	Pump housing	
31	3594673	1	Pump	
32	951963	2	Spring pin	