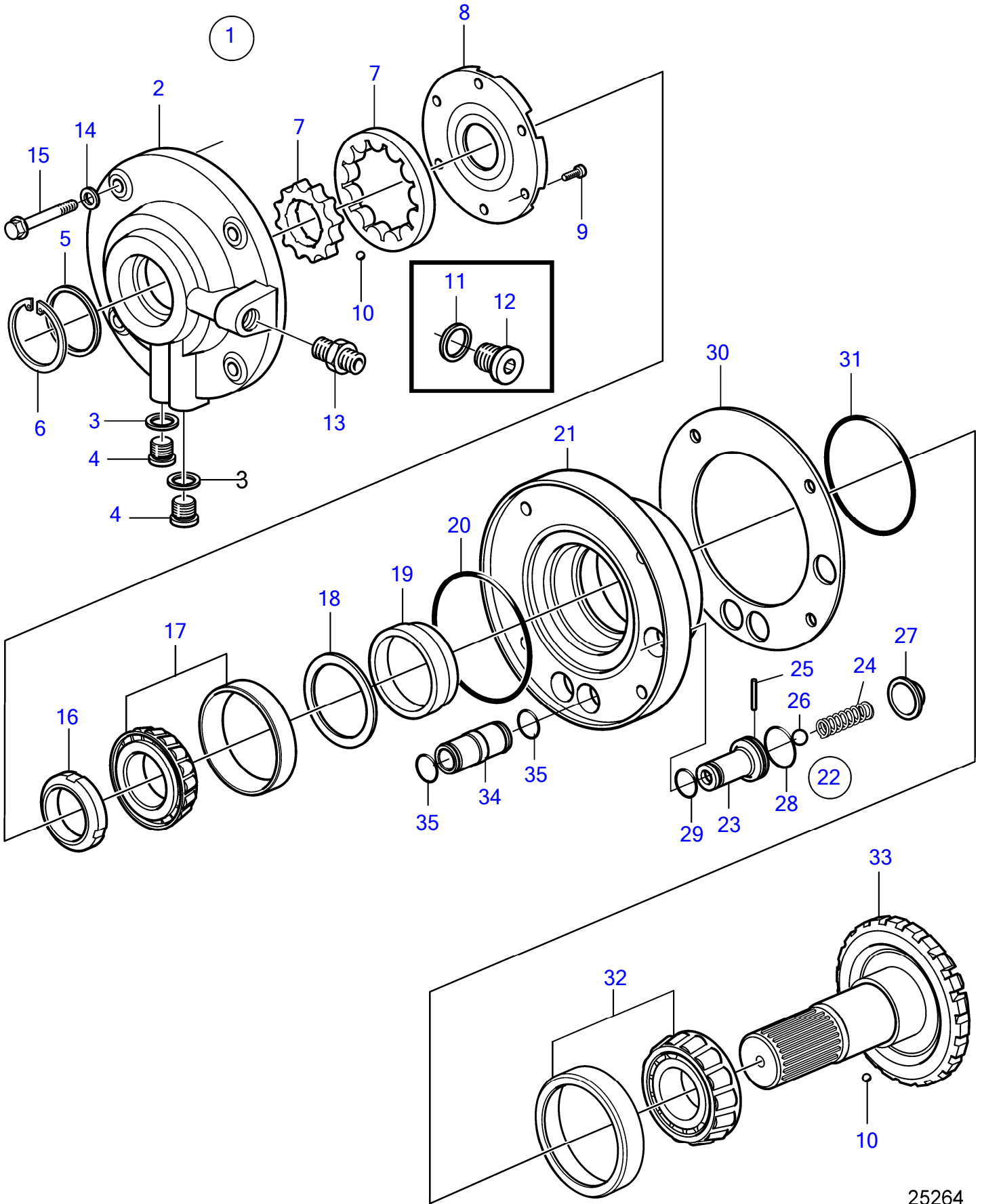


IPS-D



## IPS-D

REF	PART NO.	QTY	DESCRIPTION	NOTES
1	21521380	1	Oil pump kit	
2	21412509	1	• Pump housing	SN-3940021406, Replaced by 22918960
	22918960	1	• Pump housing	SN3940021407-
3	969011	2	• • Gasket	SN-3940021406, For 21412509
4	945065	2	• • Plug	SN-3940021406, For 21412509
	60112824	2	• • Plug	SN3940021407-, For 22918960
5	6842273	1	• Lip seal	
6	914526	1	• Snap ring	
7		1	• Pump element	not sold separately
8	(21233907)	1	• Cover	Obsolete part, not sold separately
9	942001	6	• Hex. socket screw	L=16mm
10	1521240	1	• Ball	
11	947627	1	• Gasket	Not in use for IPS-D
12	966145	1	• Plug	Not in use for IPS-D
13	994509	1	Nipple	
14	942551	4	Washer	
15	965186	4	Flange screw	L=50mm
16	969074	1	Round nut	
17	11043	1	Roller bearing	
18	983149	X	Shim	TH=0.10mm
	983150	X	Shim	TH=0.15mm
	983151	X	Shim	TH=0.35mm
19	3842410	1	Spacer	
20	925262	1	O-ring	
21	21269907	1	Bearing housing	
22	21412587	1	Sleeve	
23		1	• Sleeve	
24	814184	1	• Spring	Obsolete part
25	951936	1	• Spring pin	
26	(190297)	1	• Ball	Obsolete part
27	3886794	1	Strainer	
28	955997	1	O-ring	
29	955989	1	O-ring	
30	3861052	X	Shim	TH=0,08mm
	3861053	X	Shim	TH=0,13mm
	3861054	X	Shim	TH=0,25mm
31	925260	1	O-ring	
32	184595	1	Roller bearing	
33		1	Pinion	See section for "Upper Gear Set"
34	3861492	2	Sleeve	
35	955989	4	O-ring	