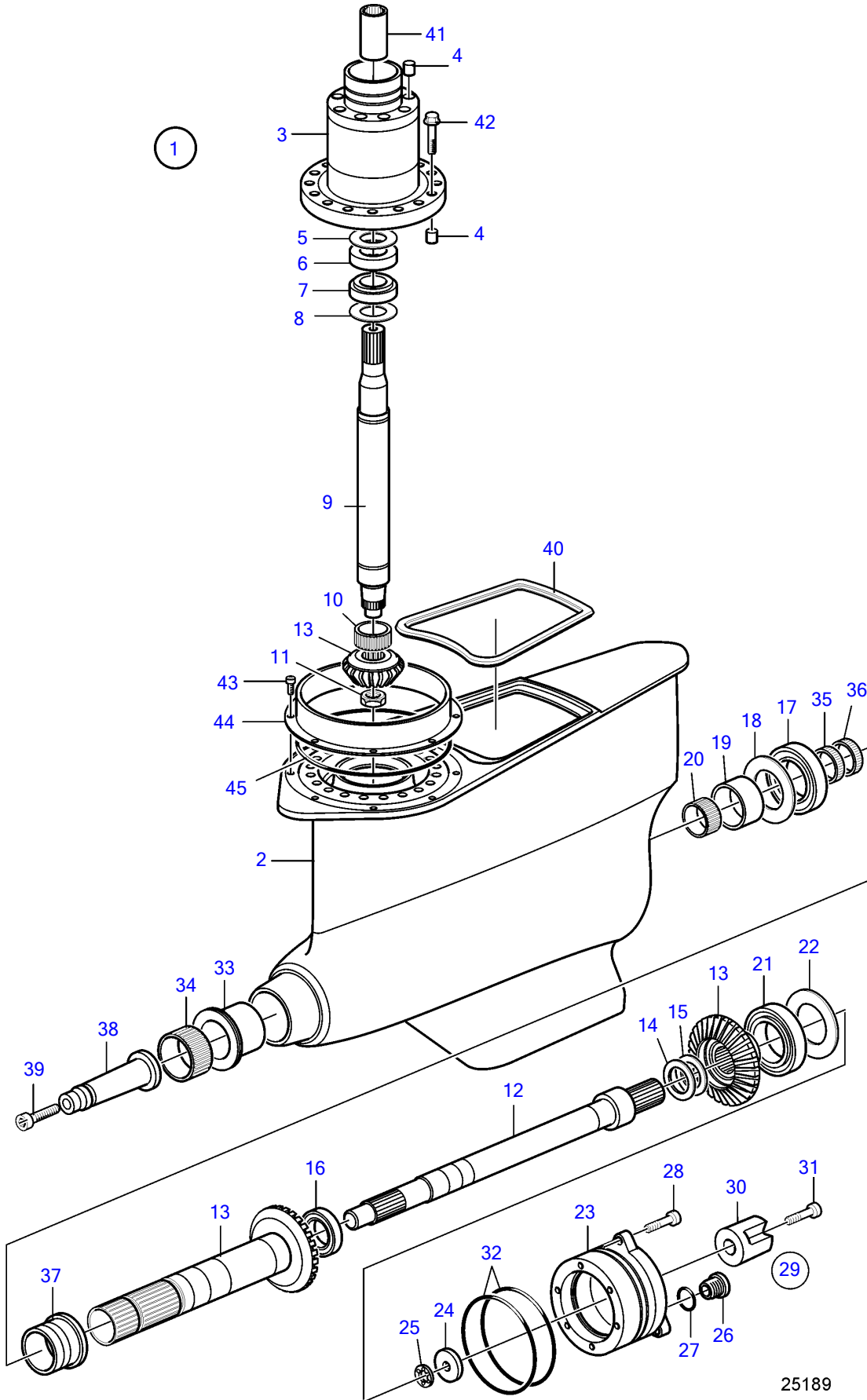


IPS-D



25189

## IPS-D

REF	PART NO.	QTY	DESCRIPTION	NOTES
1	3801302	1	Lower gear	Ratio 1.94:1, Ratio 2.08:1
2	(21571442)	1	• Gear housing	Obsolete part
3	3861694	1	• Steering knuckle	
4	3862569	2	• Guide sleeve	
5	983155	X	• Shim	TH=0.10mm
	983156	X	• Shim	TH=0.15mm
	983157	X	• Shim	TH=0.35mm
6	3850852	1	• Bearing	
7	183647	1	• Roller bearing	
8	983152	X	• Shim	TH=0.10mm
	983153	X	• Shim	TH=0.15mm
	983154	X	• Shim	TH=0.35mm
9	3861202	1	• Shaft	
10	184078	1	• Needle roller bearin	
11	3861203	1	• Nut	
12	3863373	1	• Shaft	
13	3861171	1	• Gear set	Ratio 1.82:1
	3861176	1	• Gear set	Ratio 1.94:1, Ratio 2.08:1
14	3841055	X	• Adjusting washer	TH=1,95mm
	3841056	X	• Adjusting washer	TH=2.00mm
	3841057	X	• Adjusting washer	TH=2.10mm
	3841058	X	• Adjusting washer	TH=2.15mm
15	3841055	X	• Adjusting washer	TH=1,95mm
	3841056	X	• Adjusting washer	TH=2.00mm
	3841057	X	• Adjusting washer	TH=2.10mm
	3841058	X	• Adjusting washer	TH=2.15mm
16	183840	1	• Roller bearing	
17	184659	1	• Roller bearing	
18	983161	X	• Shim	TH=0.10mm
	983162	X	• Shim	TH=0.15mm
	983163	X	• Shim	TH=0.35mm
19	184851	1	• Inner ring	
20	184852	1	• Needle roller bushin	
21	184849	1	• Roller bearing	
22	983158	X	• Shim	TH=0.10mm
	983159	X	• Shim	TH=0.15mm
	983160	X	• Shim	TH=0.35mm
23	3862151	1	• Bearing carrier	
24	8171169	1	• Magnet	
25	945719	1	• Retainer	
26	3847669	1	• Plug	
27	949656	1	• O-ring	
28	963711	2	• Hex. socket screw	L=50mm
29	3593981	1	• Anode kit	
30		1	• • Anode	
31		1	• • Hex. socket screw	
32	925096	2	• O-ring	
33	3842290	1	• Sealing ring kit	
34	184850	1	• Needle roller bushin	
35	3842288	1	• Sealing ring	Blue
36	3842286	1	• Sealing ring	Brown
37	3861087	1	• Lock nut	
38	3861207	1	• Propeller nut	
39	963699	1	• Hex. socket screw	
40	3586568	1	Sealing	
41	3861201	1	Splined sleeve	
42	3860364	10	Screw	
43	963694	8	Hex. socket screw	
44	21568866	1	Ring	
45	968241	1	O-ring	