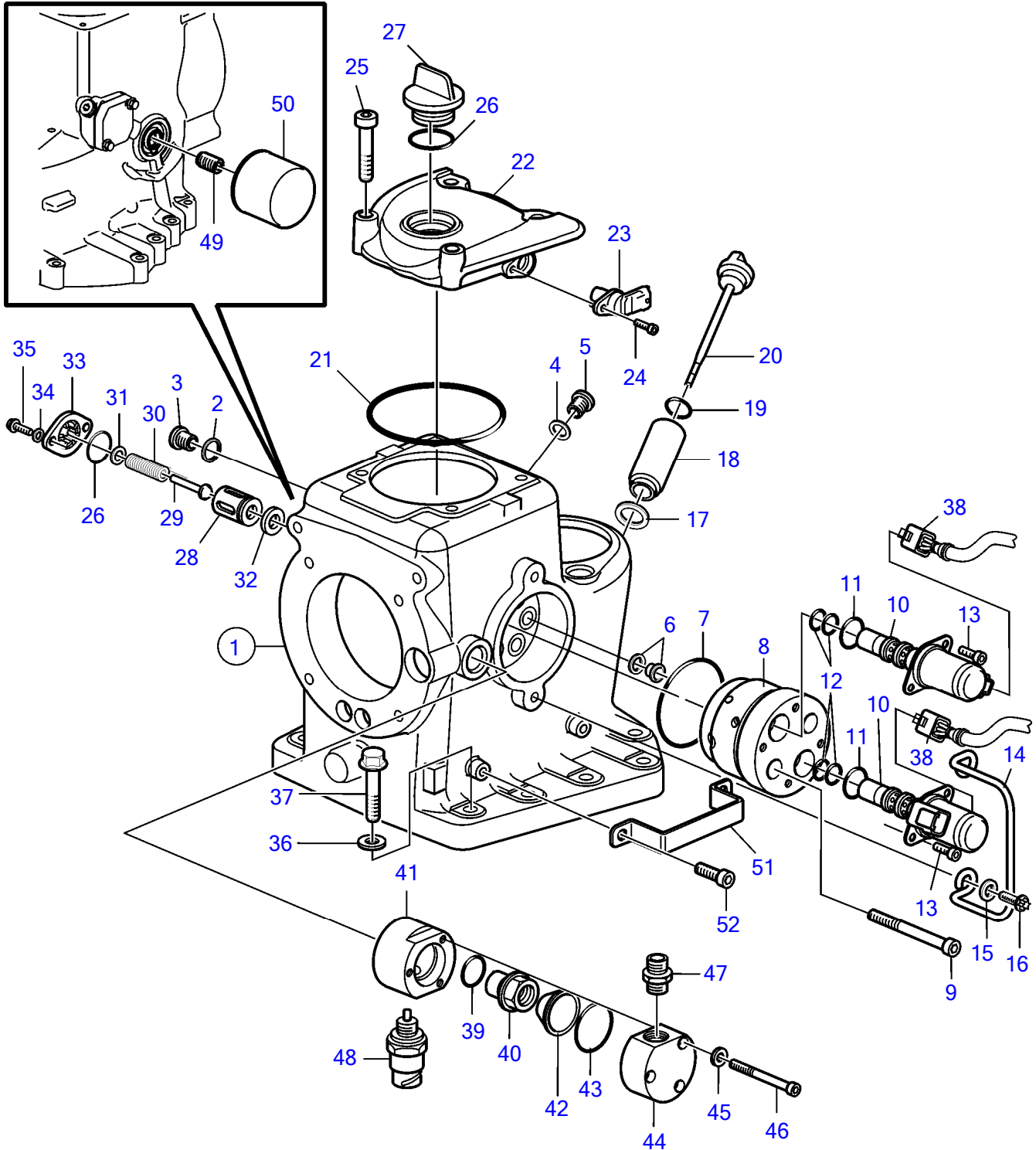


IPS-A



IPS-A

REF	PART NO.	QTY	DESCRIPTION	SEE SEC.	NOTES
1		1	Housing		
2	969011	1	Gasket		
3	945065	1	Plug		
4	947282	1	Gasket		
5	966142	1	Plug		
6	422413	6	Sealing ring		
7	974584	1	O-ring		
8	21260636	1	Valve housing		
9	963703	2	Hex. socket screw		
10	11418522	2	Valve		12/24V
11	955994	2	O-ring		
12	976018	4	O-ring		
13	963677	4	Hex. socket screw		M5x16
14	3861876	1	Protecting brace		
15	941670	2	Washer		
16	984697	2	Hexagon screw		
17	976109	1	O-ring		
18	3886533	1	Adapter		
19	949656	1	O-ring		
20	3858140	1	Dipstick		
21	925263	1	O-ring		
22	21169140	1	Cover		
23	21123875	1	Sensor		
24	963684	1	Hex. socket screw		
25	984277	4	Hex. socket screw		L=50mm
26	949659	2	O-ring		
27	840559	1	Cover		
28	3883760	1	Spring seat		
29	471085	1	Valve cone		
30	872585	1	Spring		
31	978917	5	Shim		TH=0,50mm
32	976023	1	O-ring		
33	21269896	1	Cover		
34	940191	2	Washer		
35	984551	2	Hexagon screw		L=16mm
36	942551	10	Washer		
37	984699	10	Hexagon screw		
38	874619	1	Wiring harness		EVC-C
	21159044	1	Wiring harness		EVC-C2, Diesel
	21260206	1	Wiring harness		EVC-C2, Diesel, Jackshaft
	21761780	1	Wiring harness		L=1300mm
	21493366	1	Wiring harness		L=1700mm
	21493367	1	Wiring harness		L=2200mm
	21493368	1	Wiring harness		L=2600mm
	21493369	1	Wiring harness		L=3100mm
	21493370	1	Wiring harness		L=3500mm
	3593778	1	Wiring harness		Gas
39	949656	1	O-ring		
40	21913841	1	Plug		
41	21611508	1	Adapter		
42	3886794	1	Strainer		
43	949659	1	O-ring		
44	21611515	1	Cover		
45	940275	3	Washer		
46	963681	3	Hex. socket screw		
47	994509	1	Nipple		
48	874313	1	Sensor		
49	840274	1	Nipple		
50	834337	1	Oil filter		
			• Bulletin P-18-3-8	P-18-3-8-EN	Return/Scrap of Oil Filter
51	21567291	1	Bracket		
52	994138	2	Hex. socket screw		