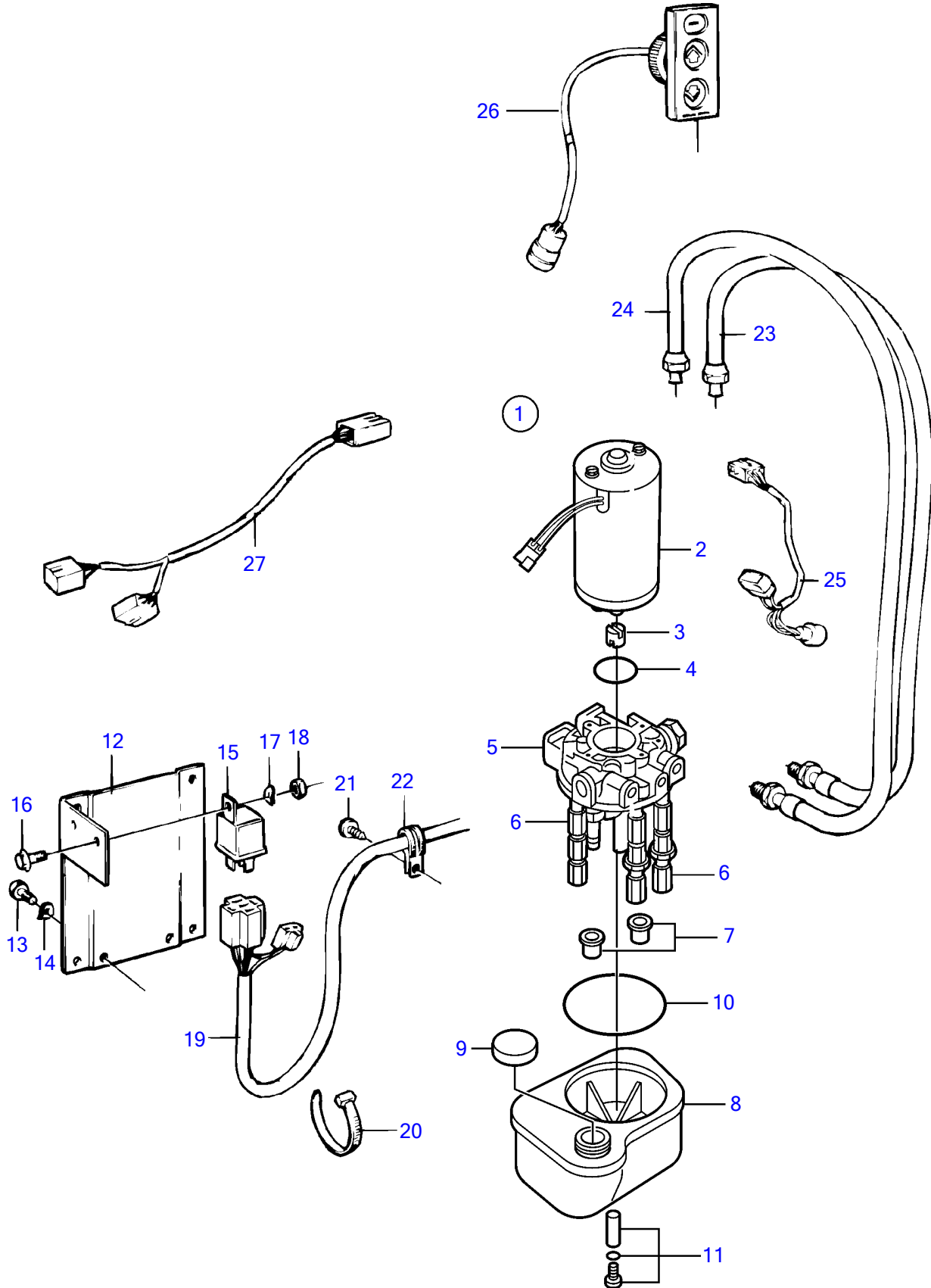


DPX-C



## DPX-C

REF	PART NO.	QTY	DESCRIPTION	NOTES
1	3857006	1	Hydraulic pump	
2	854525	1	• Electrical motor	
3	3858072	1	• Connector	
4	3858073	1	• O-ring	
5	(854528)	1	• Valve housing	Obsolete part
6	854535	1	• Hydraulic pump	
	873057	1	• Delivery valve	
	854537	1	• Pressure box	
7	3858076	2	• Filter	
8	(854531)	1	• Reservoir	Obsolete part
9	3858079	4	• Cardboard tube	
10	3858078	1	• Sealing	
11	854534	1	• Small parts kit	
12	854438	1	• Bracket	
13	970945	2	• Hexagon screw	
14	941908	2	• Spring washer	
15	854357	2	• Relay	
16	948663	2	• Flange screw	
17	941905	2	• Spring washer	
18	955780	2	• Hexagon nut	
19	872448	1	Wiring harness	
20	948211	1	Cable tie	
21	968476	4	Flange screw	
22	952630	4	Clamp	
23	873228	1	Hydraulic hose	Front
24	873229	1	Hydraulic hose	Rear
25	853032	1	Cable trunk	
	948294	1	• Housing	
	965822	1	• Cable terminal	As required
	(853498)	1	• Anode kit	Obsolete part
	853521	1	• Cable terminal	As required
26	3855650	1	Control panel	
27	853066	1	Cable trunk	Dual station