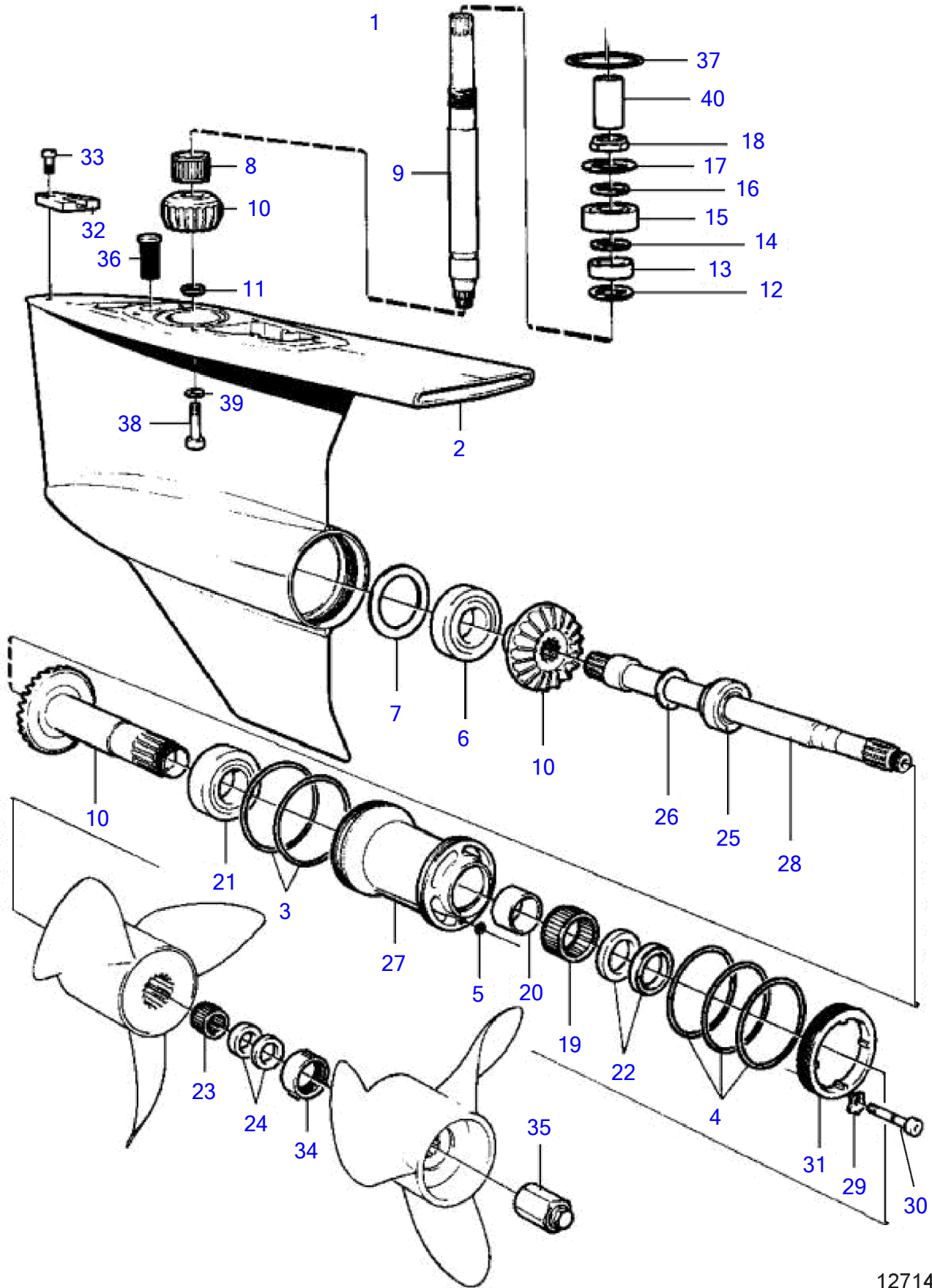


DPX-S 1.59, DPX-S 1.68, DPX-S 1.78, DPX-S1 1.59, DPX-S1 1.68, DPX-S1 1.78



12714

DPX-S 1.59, DPX-S 1.68, DPX-S 1.78, DPX-S1 1.59, DPX-S1 1.68, DPX-S1 1.78

REF	PART NO.	QTY	DESCRIPTION	NOTES
1	(872133)	1	Gear	1.59:1, Obsolete part
	872990	1	Gear	1.68:1
	(872297)	1	Gear	Obsolete part, 1.78:1
2	872134	1	• Gear housing	
3	873232	2	• O-ring	
4	946438	3	• O-ring	
5	955981	1	• O-ring	
6	11044	1	• Roller bearing	
7	941823	1	• Shim, 0.10 mm	As required
	967352	1	• Shim, 0.05 mm	As required
	941824	1	• Shim, 0.20 mm	As required
	967351	1	• Shim, 0.15 mm	As required
	941825	1	• Shim, 0.40 mm	As required
8	184654	1	• Needle roller bushin	
9	872293	1	• Countershaft	
10	(872398)	1	• Gear, 1.59:1	Obsolete part
	(872146)	1	• Gear, 1.68:1	Obsolete part
	872404	1	• Gear, 1.78:1	
11	852212	1	• Nut	
12	941832	1	• Shim, 0.05 mm	As required
	941833	1	• Shim, 0.20 mm	As required
13	183374	1	• Ball bearing	
14	944970	1	• Shim	As required
15	11072	1	• Roller bearing	
16	897387	1	• Tensioning ring	
17	944522	1	• Shim, 0.05 mm	As required
	42981	1	• Shim, 0.10 mm	As required
	42980	1	• Shim, 0.35 mm	As required
	968057	1	• Shim, 0.20 mm	As required
18	969071	1	• Round nut	
19	183859	1	• Needle roller bushin	
20	184683	1	• Inner ring	
21	184765	1	• Roller bearing	
22	851407	2	• Sealing ring	
23	183272	1	• Needle roller bearin	
24	853871	1	• Sealing ring	
25	184691	1	• Roller bearing	
26	191834	1	• Shim, 0.10 mm	As required
	191835	1	• Shim, 0.15 mm	As required
	191837	1	• Shim, 0.25 mm	As required
27	872136	1	• Bearing housing	
28	872393	1	• Propeller shaft	
29	872403	1	• Washer	
30	872174	1	• Lock screw	
31	872172	1	• Thrust ring	
32	876638	1	• Zinc electrode	
33	963684	2	• • Hex. socket screw	
34	3851335	1	• Propeller nut, front	
35	872179	1	• Propeller nut, rear	
36	814482	1	• Oil strainer	
37	925256	1	O-ring	
38	959457	4	Hex. socket screw	
39	853095	4	Washer	
40	3852268	1	Splined sleeve	