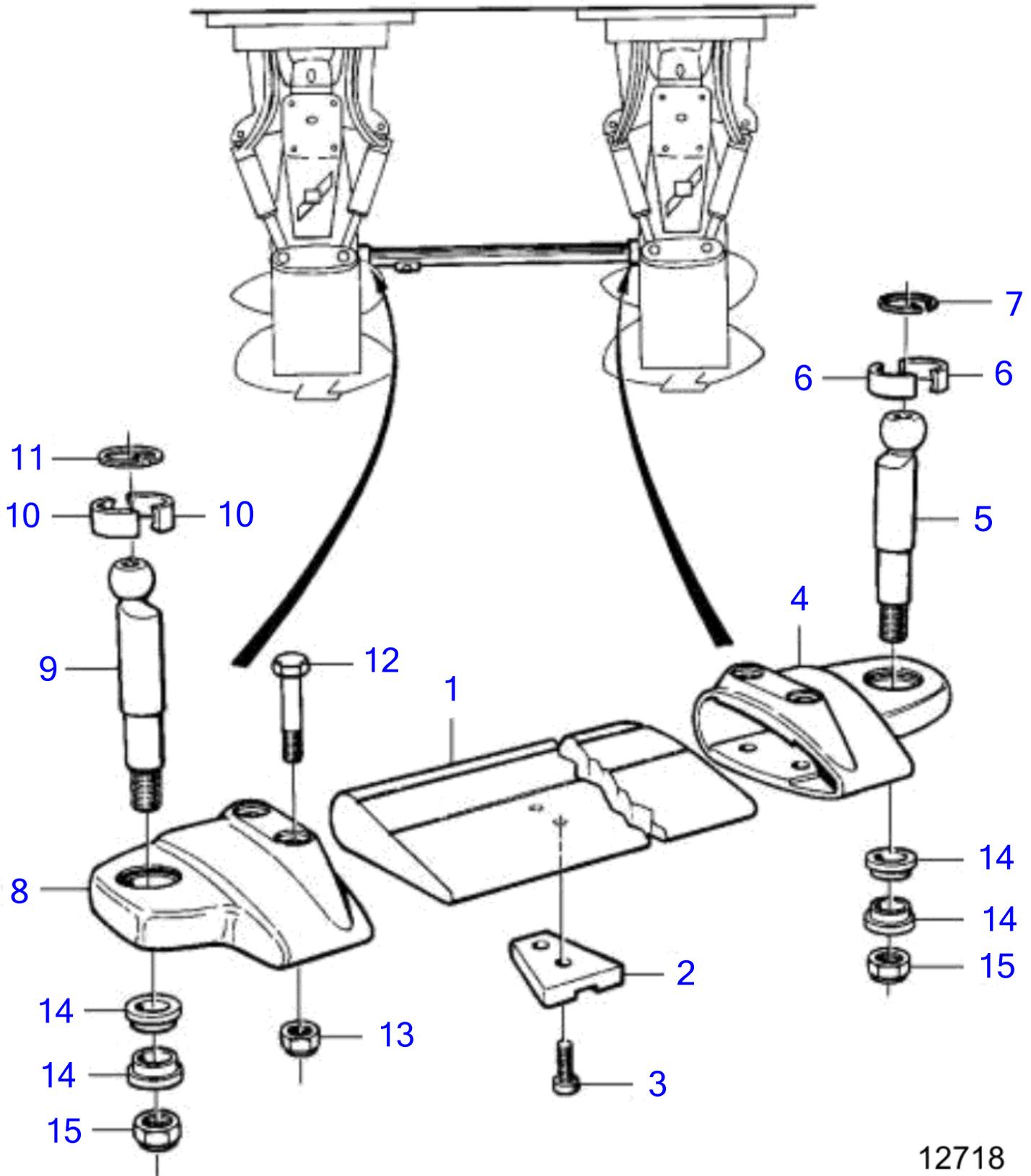


DPX-C



12718

DPX-C

| REF | PART NO. | QTY | DESCRIPTION | NOTES |
|-----|----------|-----|-----------------------|---------------|
| 1 | (872345) | 1 | Stay | Obsolete part |
| 2 | 876638 | 1 | • Zinc electrode | |
| 3 | 963684 | 2 | • • Hex. socket screw | |
| 4 | 872972 | 1 | Link, starboard | |
| 5 | 872497 | 1 | Ball joint | |
| 6 | 872349 | 2 | Ball socket | |
| 7 | 872713 | 1 | Snap ring | |
| 8 | 873121 | 1 | Link, port | |
| 9 | 872497 | 1 | Ball joint | |
| 10 | 872349 | 2 | Ball socket | |
| 11 | 872713 | 1 | Snap ring | |
| 12 | 873218 | 4 | Screw | |
| 13 | 873219 | 4 | Lock nut | |
| 14 | 872348 | 4 | Washer | |
| 15 | 873220 | 2 | Lock nut | |

7749302-64-11149

12718

Upd:2014-01-29

DPX-S 1.59, DPX-S 1.68, DPX-S 1.78, DPX-S1 1.59, DPX-S1 1.68, DPX-S1 1.78, DPX-C