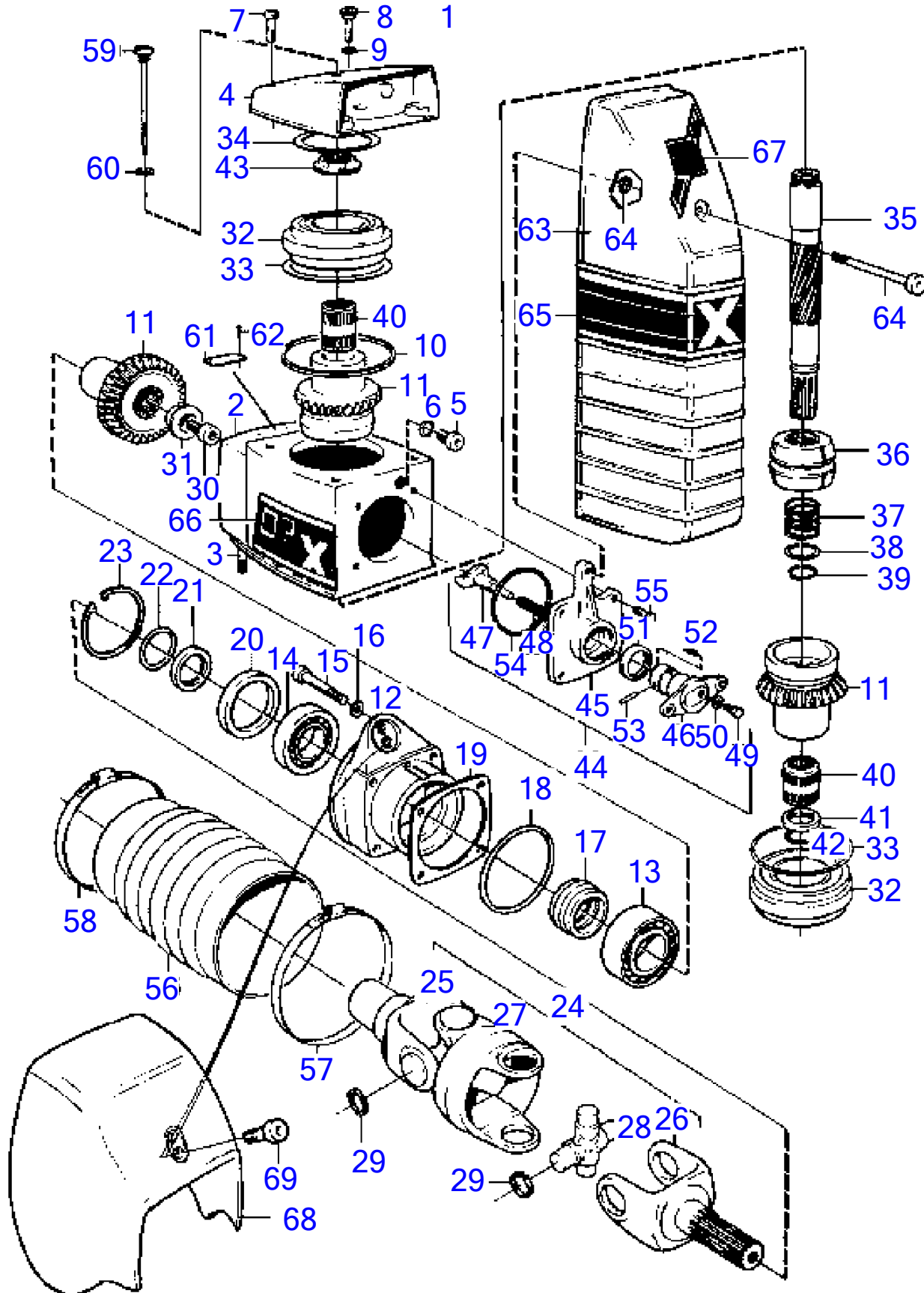


DPX-R 1.47, DPX-R 1.51, DPX-R 1.59, DPX-R 1.68, DPX-R 1.78



DPX-R 1.47, DPX-R 1.51, DPX-R 1.59, DPX-R 1.68, DPX-R 1.78

REF	PART NO.	QTY	DESCRIPTION	SEE SEC.	NOTES
1	3868956	1	Drive		1.47:1
	3868641	1	Drive		1.59:1
	3868642	1	Drive		1.68:1
	3868643	1	Drive		1.78:1
	3858641	1	Upper gear, complete		
2		1	• Gear housing		
3	977241	2	• Stud		
4	872969	1	• Cardboard tube		
5	814179	1	• Plug		
6	897682	1	• Gasket		
7	941807	3	• Hex. socket screw		
8	814643	1	• Hollow screw		
9	955989	1	• O-ring		
10	832669	1	• Gasket		
11	3858835	1	• Gear set		
12		1	• Bearing box		
13	853949	1	• Roller bearing		
14	183247	1	• Roller bearing		
15	956591	4	• Hex. socket screw		
16	942598	4	• Washer		
17	853484	1	• Pretensioning sleeve		
18	925095	1	• O-ring		
19	853034		• Shim, 0.10 mm		As required
	853035		• Shim, 0.15 mm		As required
	853036		• Shim, 0.35 mm		As required
20	839253	1	• Sealing ring		
21	832675	1	• Washer		
22	956000	1	• O-ring		
23	914538	1	• Snap ring		
24	3858282	1	• Universal joint		replaced by 3858447
			• Bulletin P-44-1-5	P-44-1-5-EN	U-joints
24	3858447	1	• Universal joint		
			• Bulletin P-44-1-5	P-44-1-5-EN	U-joints
25			• • Fork		not sold separately
26			• • Fork		not sold separately
27			• • Intermediate housing		not sold separately
28	3860232	2	• • Spider		
29			• • Lock ring		not sold separately
30	854201	1	• Screw		
31	853026	1	• Washer		
32	3852389	2	• Bearing		
33	943869		• Shim, 0.05 mm		As required
	946179		• Shim, 0.10 mm		As required
	943870		• Shim, 0.20 mm		As required
34	941826		• Shim, 0.05 mm		As required
	941827		• Shim, 0.20 mm		As required
	948230		• Shim, 0.35 mm		As required
35	3858455	1	• Shaft		
36		1	• Sliding sleeve		
37	3852296	1	• Spring		
38	854126	1	• Washer		
39	951078	1	• Snap ring		
40	3852390	2	• Bearing		
41	854192	1	• Spacer ring		
42	3852295	2	• Locking clip		
43	854228	1	• Nut, 0 mm		
	854229	1	• Nut, 0.20 mm		
	854230	1	• Nut, 0.40 mm		
	3852375	1	• Nut, 0.60 mm		
44		1	• Shift mechanism		
45	872993	1	• • Bearing housing		
46	897816	1	• • Eccentric piston		
			• Bulletin P-44-1-7	P-44-1-7-EN	Shift mechanism, eccentric piston

7749301-44-11133

12070

Upd:2009-10-21

DPX-R, DPX-R 1.47, DPX-R 1.51, DPX-R 1.59, DPX-R 1.68, DPX-R 1.78

VOLVO
PENTA

DPX-R 1.47, DPX-R 1.51, DPX-R 1.59, DPX-R 1.68, DPX-R 1.78

REF	PART NO.	QTY	DESCRIPTION	SEE SEC.	NOTES
47	814603	1	• • Dog		
48	814184	1	• • Spring		
49	897711	1	• • Screw		
50	897871		• • Shim		As required
51	873291	1	• • Sealing ring		
52	951924	1	• • Spring pin		
53	942871	1	• • Clevis pin		
54	925093	1	• • O-ring		
55	940169	4	• Hexagon screw		
56	876294	1	• Bellows kit		
			• Bulletin P-44-1-11	P-44-1-11-EN	DPH/DPR U-Joint Bellows
57	853013	1	• • Hose clamp		
58	853012	1	• • Hose clamp		
59	839351	1	• Oil dipstick		
60	955974	1	• O-ring		
61	853706	1	• Type plate		
62	804269	2	• Drive screw		
63	3858601	1	Cover		Incl. in complete drive unit
64	925052	2	O-ring		Incl. in complete drive unit
	959427	1	Hex. socket screw		Incl. in complete drive unit
65		1	Decal		Incl. in complete drive unit
66		1	Decal, port		Incl. in complete drive unit
		1	Decal, starboard		Incl. in complete drive unit
67	854144	1	Sign		Incl. in complete drive unit
68	872759	1	Protecting casing		Incl. in complete drive unit
69	941807	1	Hex. socket screw		

7749301-44-11133

12070

Upd:2009-10-21

DPX-R, DPX-R 1.47, DPX-R 1.51, DPX-R 1.59, DPX-R 1.68, DPX-R 1.78