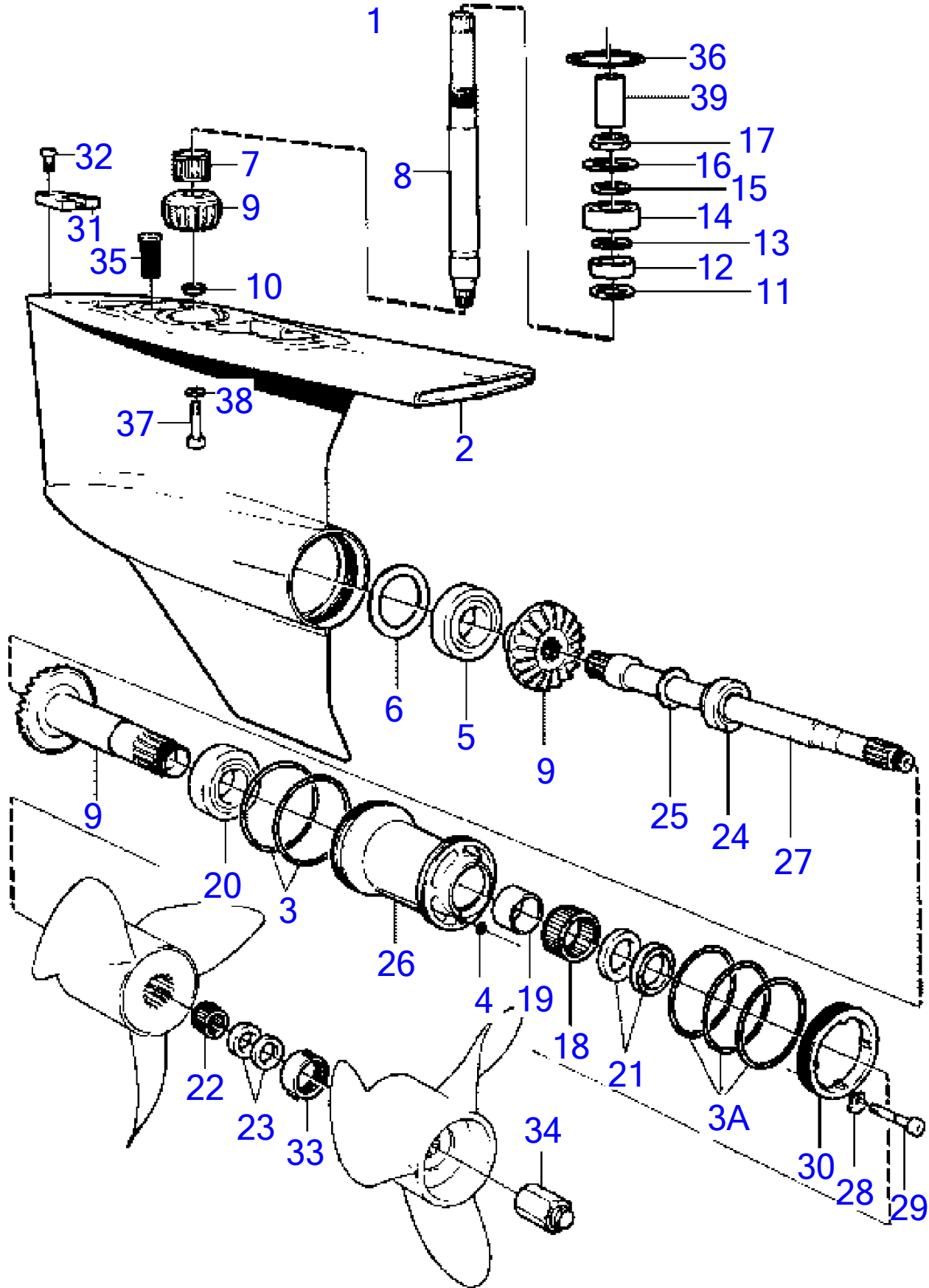


DPX-R 1.47, DPX-R 1.51, DPX-R 1.59, DPX-R 1.68, DPX-R 1.78



DPX-R 1.47, DPX-R 1.51, DPX-R 1.59, DPX-R 1.68, DPX-R 1.78

REF	PART NO.	QTY	DESCRIPTION	NOTES
1		1	Gear	1.47:1
		1	Lower section	1.59:1
		1	Lower section	1.68:1
		1	Gear	1.78:1
2	3858599	1	• Gear housing	
3	873232	2	• O-ring	
3A	946438	3	• O-ring	
4	955981	1	• O-ring	
5	11044	1	• Roller bearing	
6	941823	1	• Shim, 0.10 mm	As required
	967352	1	• Shim, 0.05 mm	As required
	941824	1	• Shim, 0.20 mm	As required
	967351	1	• Shim, 0.15 mm	As required
	941825	1	• Shim, 0.40 mm	As required
7	184654	1	• Needle roller bushin	
8		1	• Shaft	
9	3858461	1	• Gear	1.47:1
	3856530	1	• Gear	1.59:1
	3856526	1	• Gear	1.68:1
	3856528	1	• Gear	1.78:1
10	852212	1	• Nut	
11	941832	1	• Shim, 0.05 mm	As required
	941833	1	• Shim, 0.20 mm	As required
12	183374	1	• Ball bearing	
13	944970	1	• Shim	As required
14	11072	1	• Roller bearing	
15	897387	1	• Tensioning ring	
16	944522	1	• Shim, 0.05 mm	As required
	42981	1	• Shim, 0.10 mm	As required
	42980	1	• Shim, 0.35 mm	As required
	968057	1	• Shim, 0.20 mm	As required
17	969071	1	• Round nut	
18	183859	1	• Needle roller bushin	
19	184683	1	• Inner ring	
20	184765	1	• Roller bearing	
21	851407	2	• Sealing ring	
22	183272	1	• Needle roller bushin	
23	853871	1	• Sealing ring	
24	184691	1	• Roller bearing	
25	191834	1	• Shim, 0.10 mm	As required
	191835	1	• Shim, 0.15 mm	As required
	191837	1	• Shim, 0.25 mm	As required
26	872136	1	• Bearing housing	
27	872393	1	• Propeller shaft	
28	872403	1	• Washer	
29	872174	1	• Lock screw	
30	872172	1	• Thrust ring	
31	876638	1	• Zinc electrode	
32	963684	2	• • Hex. socket screw	
33	3851335	1	• Propeller nut, Front	
34	872179	1	• Propeller nut, Rear	
35	814482	1	• Oil strainer	
36	925256	1	O-ring	
37	959457	4	Hex. socket screw	
38	853095	4	Washer	
39	3856520	1	Splined sleeve	