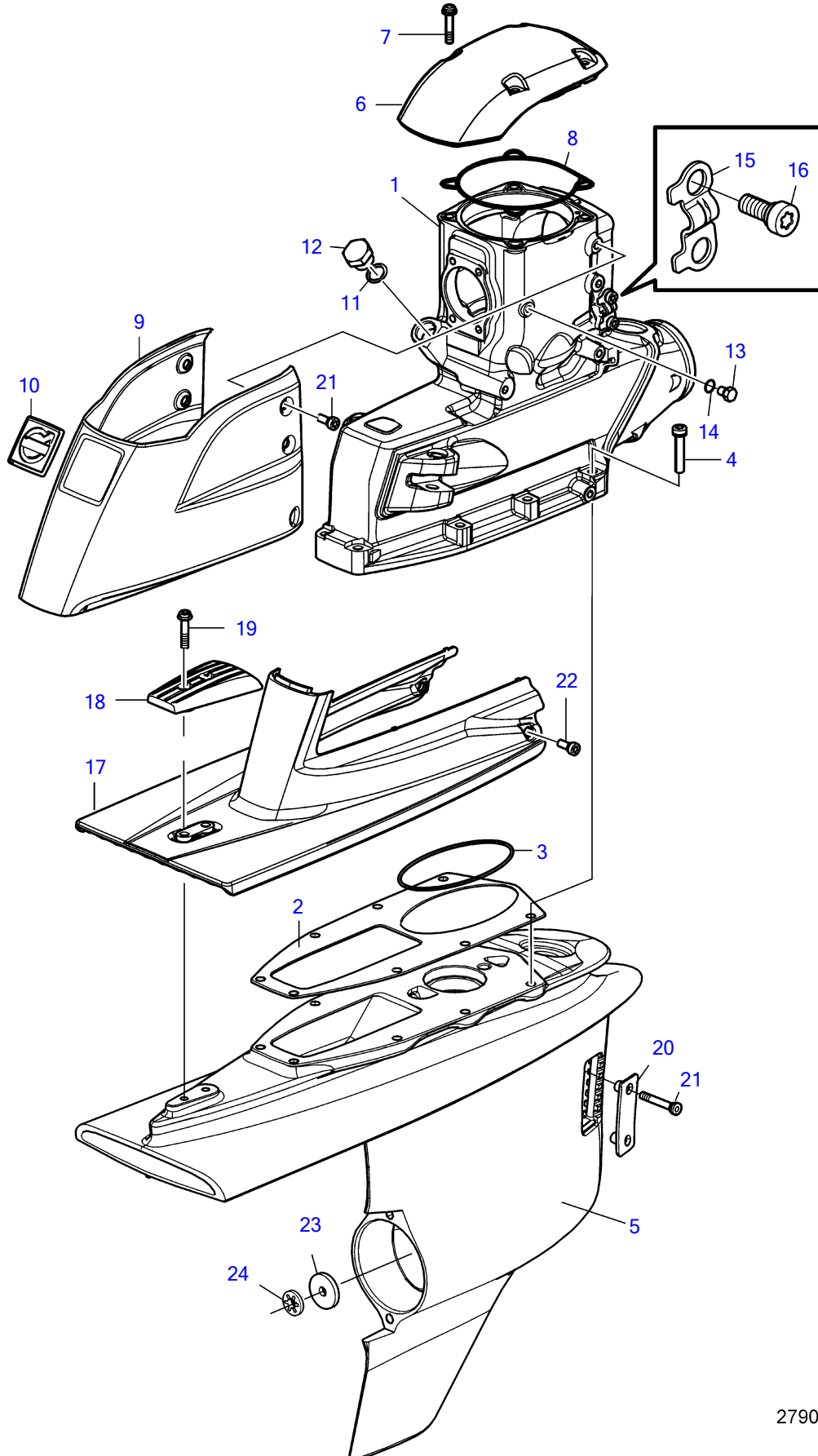


DPH-D1



27905

DPH-D1

REF	PART NO.	QTY	DESCRIPTION	NOTES
1	22079926	1	Upper gear	Upper
2	3862249	1	• Gasket	
3	925096	1	• O-ring	
4	984260	8	• 6 point socket screw	L=18mm
5	22075985	1	Gear housing	Lower
6	22064326	1	Cover	
7	984257	4	6 point socket screw	L=25mm
8	3862252	1	Sealing ring	
9	21293008	1	Cover	
10	3887432	1	• Decal	
11	949656	1	O-ring	
12	22210056	1	Plug	
	22210058	1	Plug	Ratio 1.59:1
13	3887005	1	Magnetic plug	
14	949187	1	O-ring	
15	3862365	1	Retainer	
16	984298	2	6 point socket screw	L=20mm
17	3863109	1	Baffle plate	
18	3588746	1	Anode kit, zinc anode	
	3588750	1	Anode kit, magnesium anode	
	3588748	1	Anode kit, aluminum anode	
19	984258	2	6 point socket screw	L=40mm
20	3863104	1	Water inlet	
	3863105	1	Water inlet	
21	984299	2	6 point socket screw	L=30mm
22	984298	8	6 point socket screw	L=20mm
23	8171169	1	Magnet	
24	945719	1	Retainer	