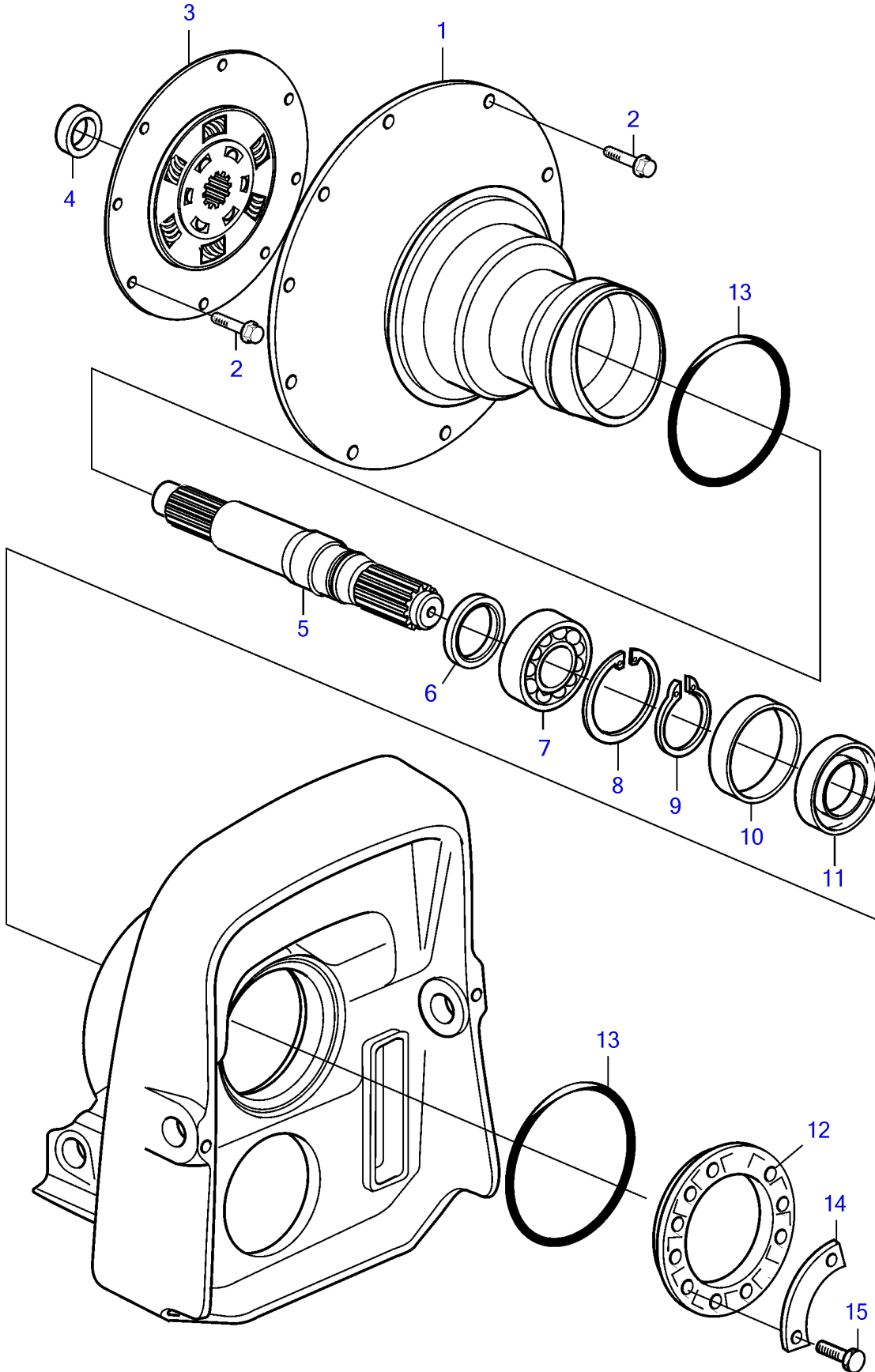


DPH-D, DPR-D



DPH-D, DPR-D

REF	PART NO.	QTY	DESCRIPTION	NOTES
1	21201104	1	Flywheel housing	(3589844)
2	946752	18	Flange screw	L=35mm
3	3886887	1	Flexible coupling	
4	888264	1	Bushing	
5	21324794	1	Shaft	
6	6842273	1	Lip seal	
7	184841	1	Ball bearing	
8	914533	1	Snap ring	
9	914462	1	Snap ring	
10	888545	1	Bushing	
11	958860	1	Sealing ring	
12	873048	1	Tensioning ring	
13	804190	2	Rubber ring	
14	806624	3	Striker plate	
15	191844	6	Hexagon screw	