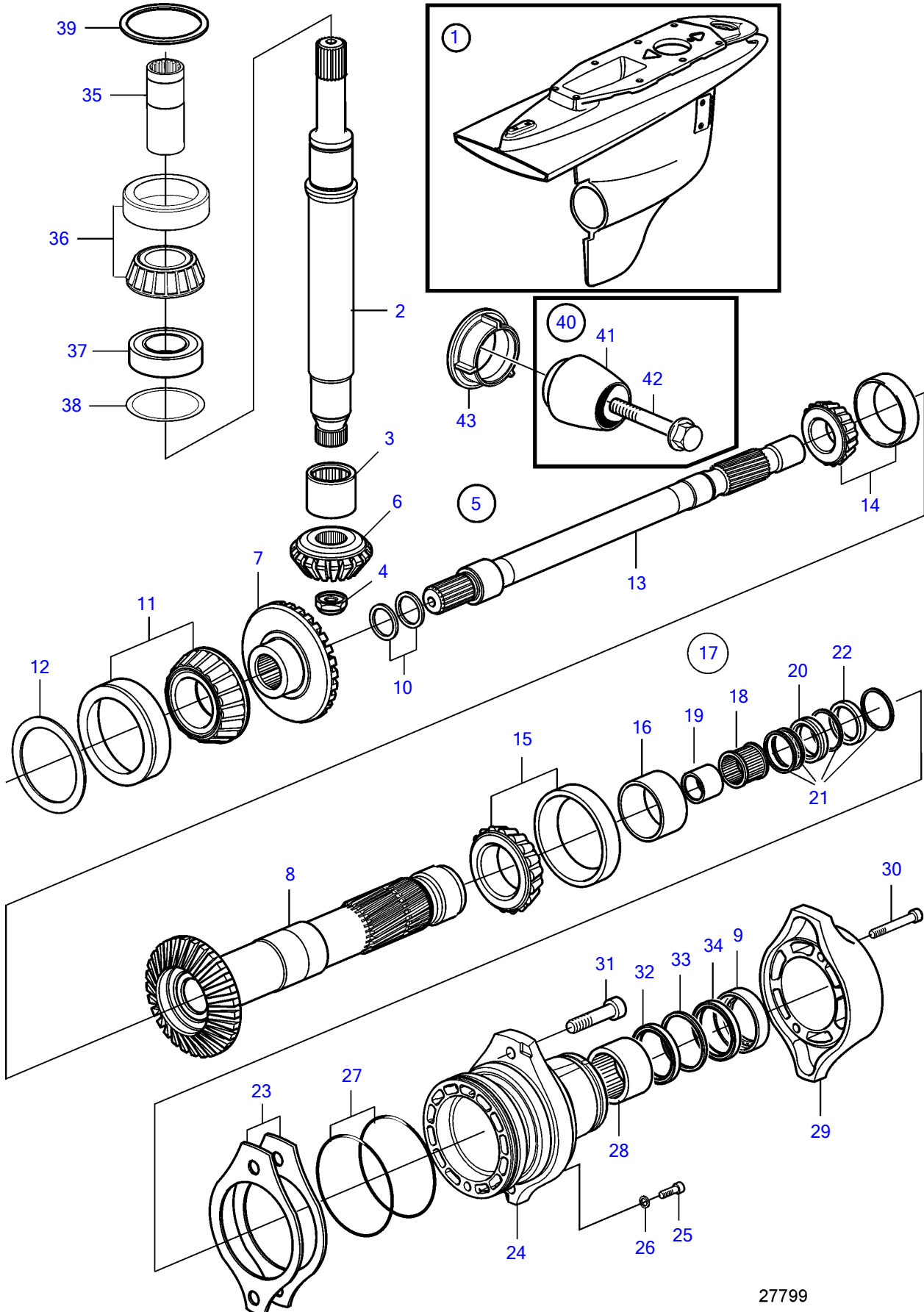


DPH-D



27799

DPH-D

REF	PART NO.	QTY	DESCRIPTION	SEE SEC.	NOTES
1	22079938	1	Lower gear		Ratio 1.63:1
	22079940	1	Lower gear		Ratio 1.69:1
	22079941	1	Lower gear		Ratio 1.76:1
	22079942	1	Lower gear		Ratio 1.85:1
	22079943	1	Lower gear		Ratio 1.96:1
	22079944	1	Lower gear		Ratio 2.08:1
2	3862389	1	• Shaft		
3	184654	1	• Needle roller bushin		
4	3862390	1	• Nut		
5	22123612	1	• Gear set		Ratio 1.59:1
	22123618	1	• Gear set		Ratio 1.63:1
	22123614	1	• Gear set		Ratio 1.69:1
	22123615	1	• Gear set		Ratio 1.76:1
	22123617	1	• Gear set		Ratio 1.85:1
	22123616	1	• Gear set		Ratio 1.96:1
	22123613	1	• Gear set		Ratio 2.08:1
6			• • Pinion		Not sold separately
7			• • Gear		Not sold separately
8			• • Gear		Not sold separately
9	21243935	1	• Lock ring		
10	3863063	X	• Adjusting washer		TH=2.85mm
	3863064	X	• Adjusting washer		TH=2.90mm
	3863065	X	• Adjusting washer		TH=3.00mm
	3863066	X	• Adjusting washer		TH=3.05mm
11	183765	1	• Roller bearing		
12	983158	X	• Shim		TH=0.10mm
	983159	X	• Shim		TH=0.15mm
	983160	X	• Shim		TH=0.35mm
13	21856223	1	• Shaft		
14	425784	1	• Roller bearing		
15	984222	1	• Roller bearing		
16	984225	1	• Inner ring		
17	183390	1	• Needle roller bushin		
18	184642	1	• • Needle roller bushin		
19	184643	1	• • Inner ring		
20	3863080	1	• Sealing ring		
21	22173733	4	• Spacer washer		Replaced by 22484526
	22484526	2	Spacer washer		
22	3863081	2	• Sealing ring		
23	3875229	X	• Shim		TH=0.10mm
	3875230	X	• Shim		TH=0,16mm
	3875231	X	• Shim		TH=0,25mm
	3875232	X	• Shim		TH=0,40mm
24	22173381	1	• Bearing box		
25	984450	1	• 6 point socket screw		Oil drain plug
26	889455	1	• Gasket		Oil drain plug
27	925260	2	• O-ring		
28	984224	1	• Needle roller bushin		
29	21434619	1	• Adapter		
30	984258	2	• 6 point socket screw		L=40mm
31	984259	2	• 6 point socket screw		L=40mm
32	3863082	1	• Sealing ring		
33	22173790	1	• Spacer washer		Replaced by 22484527
	22484527	1	• Spacer washer		
34	3863083	1	• Sealing ring		
35	22098611	1	• Splined sleeve		
36	11065	1	• Roller bearing		
37	984223	1	• Ball bearing		
38	983152	X	• Shim		TH=0.10mm
	983153	X	• Shim		TH=0.15mm
	983154	X	• Shim		TH=0.35mm
39	977910	X	• Shim		TH=0.10mm
	977911	X	• Shim		TH=0.15mm

DPH-D

REF	PART NO.	QTY	DESCRIPTION	SEE SEC.	NOTES
	977912	X	• Shim		TH=0.35mm
40	21829326	1	Spinner		
			• Bulletin P-44-7-21	P-44-7-21-EN	New and improved propeller cone for DPH
41	(21829324)	1	• Spinner		Obsolete part
42	991609	1	• Flange screw		
43	3863211	1	Propeller nut		Front