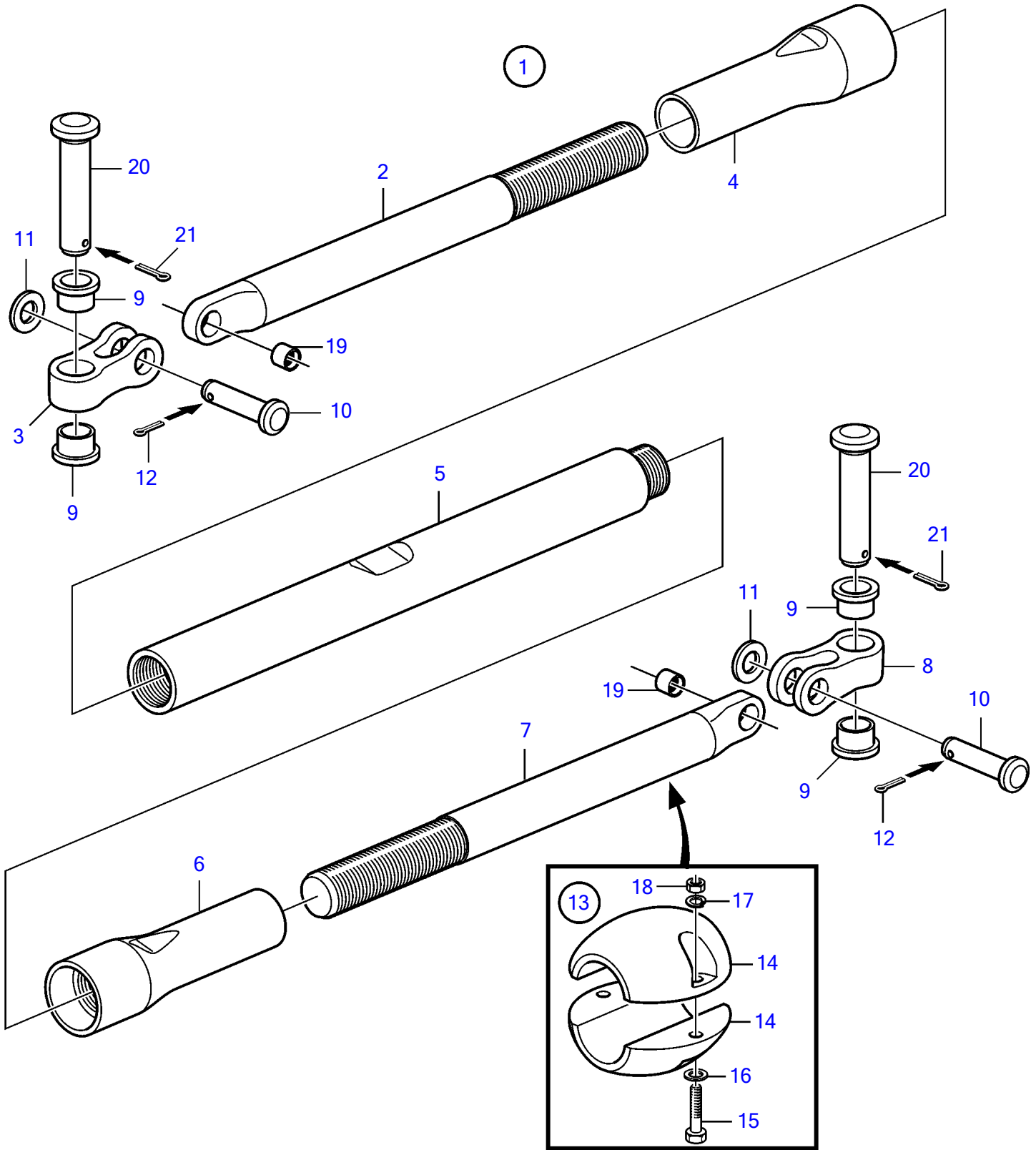


DPH-D1



19686

DPH-D1

REF	PART NO.	QTY	DESCRIPTION	NOTES
1	3594638	1	Kit	CC engine 950-1030, (3863427)
	3594639	1	Kit	CC engine 1050-1240
2		1	• Tie rod	Part is not servicable and can not be re-used if disassembled.
3	3863381	1	• Split pin	
4		1	• Collar	Part is not servicable and can not be re-used if disassembled.
5		1	• Adjusting bar	Part is not servicable and can not be re-used if disassembled.
6	(3863383)	1	• Collar	Obsolete part
7		1	• Tie rod	Part is not servicable and can not be re-used if disassembled.
8	3863381	1	• Split pin	
9	3863385	4	• Bushing	
10	3863393	2	• Pin	
11	943194	2	• Washer	
12	967707	2	• Split pin	
13	3807400	1	• Anode	
14		2	• • Anode	Not sold separately
15		2	• • Screw	Not sold separately
16		2	• • Washer	Not sold separately
17		2	• • Lock washer	Not sold separately
18		2	• • Nut	Not sold separately
19	3889691	2	• Bushing	
20	21264883	2	Pin	
21	967707	2	Split pin	