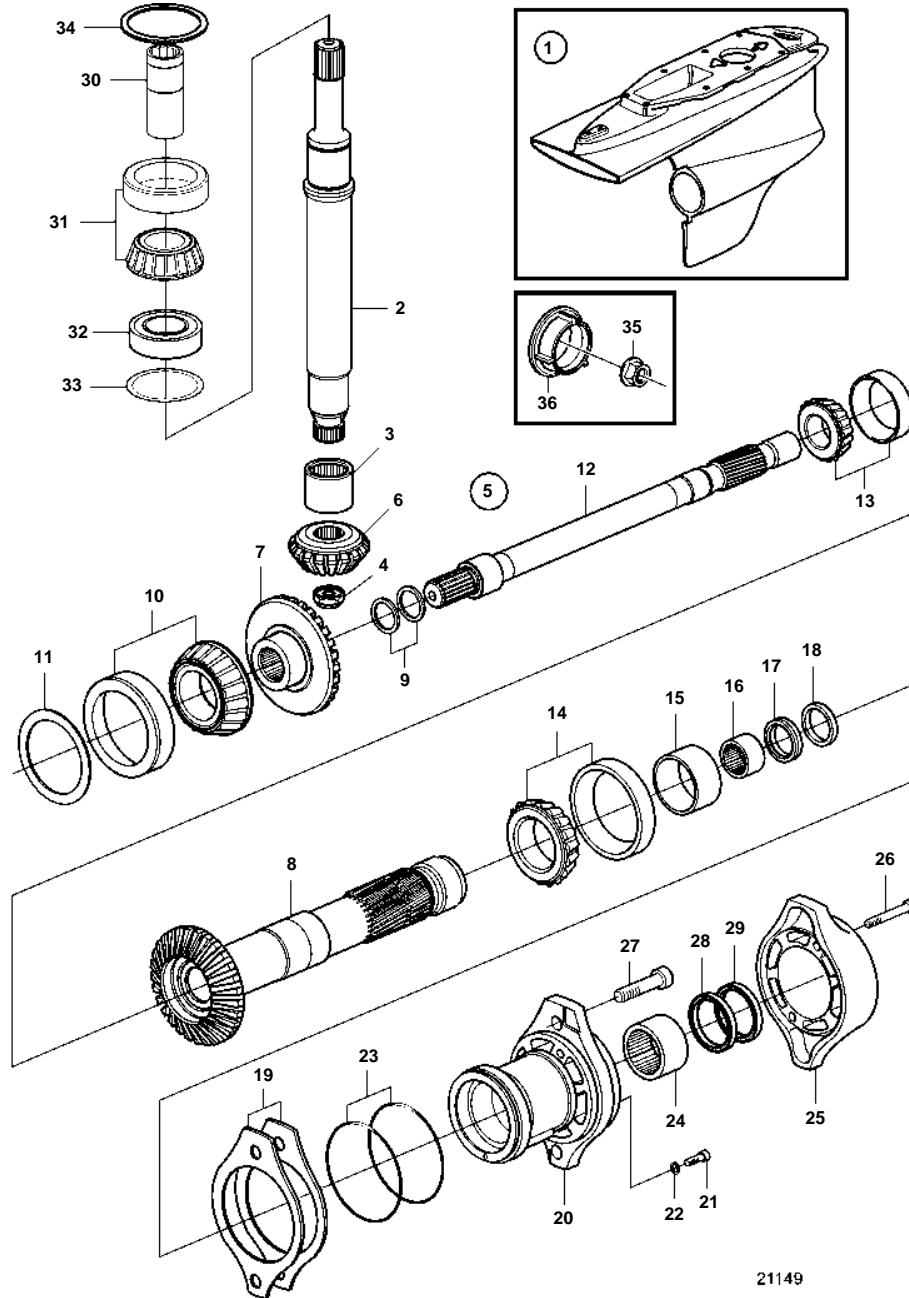


DPR-A



21149

DPR-A

REF	PART NO.	QTY	DESCRIPTION	NOTES
1	3862821	1	Gear under	
2	3862755	1	· Countershaft	
3	184654	1	· Needle bearing	
4	3862390	1	· Nut	
5	3862416	1	· Gear set	
6		1	· · Pinion	
7		1	· · Gear	
8		1	· · Gear	
9	3863063	X	· Shim	TH=2,85mm
	3863064	X	· Shim	TH=2,90mm
	3863065	X	· Shim	TH=3,00mm
	3863066	X	· Shim	TH=3,05mm
10	183765	1	· Roller bearing	
11	983158	X	· Shim	TH = 0,10mm
	983159	X	· Shim	TH = 0,15mm
	983160	X	· Shim	TH=0.35mm
12	3862423	1	· Driveshaft	
13	425784	1	· Roller bearing	
14	984222	1	· Roller bearing	
15	984225	1	· Inner ring	
16	183390	1	· Needle bearing	
17	3863080	1	· Sealing ring	
18	3863081	1	· Sealing ring	
19	889500	X	· Shim	TH = 0.10mm
	889501	X	· Shim	TH = 0,16mm
	889502	X	· Shim	TH = 0,25mm
	889503	X	· Shim	TH=0,40mm
20	3863106	1	· Bearing box	
21	984450	1	· Plug	
22	889455	1	· Washer	
23	925260	2	· O-ring	
24	984224	1	· Needle bearing	
25	3863218	1	· Adapter	
26	984258	2	· Screw	L=40mm
27	984259	2	· Screw	L=40mm
28	3863082	1	· Sealing ring	
29	3863083	1	· Sealing ring	Sealing for water.
30	3862421	1	· Splined sleeve	
31	11065	1	· Roller bearing	
32	984223	1	· Ball bearing	
33	983152	X	· Shim	TH = 0,10mm
	983153	X	· Shim	TH = 0,15mm
	983154	X	· Shim	TH=0.35mm
34	977910	X	· Shim	TH = 0,10mm
	977911	X	· Shim	TH = 0,15mm
	977912	X	· Shim	TH=0.35mm

7744790 - 44 - 6273

21149

Upd: 08 FEB 2006

DPH-A, DPH-B, DPR-A, DPR-B



DPR-A

REF	PART NO.	QTY	DESCRIPTION	NOTES
35	3863213	1	Propeller nut	REAR
36	3863211	1	Propeller nut	FRONT