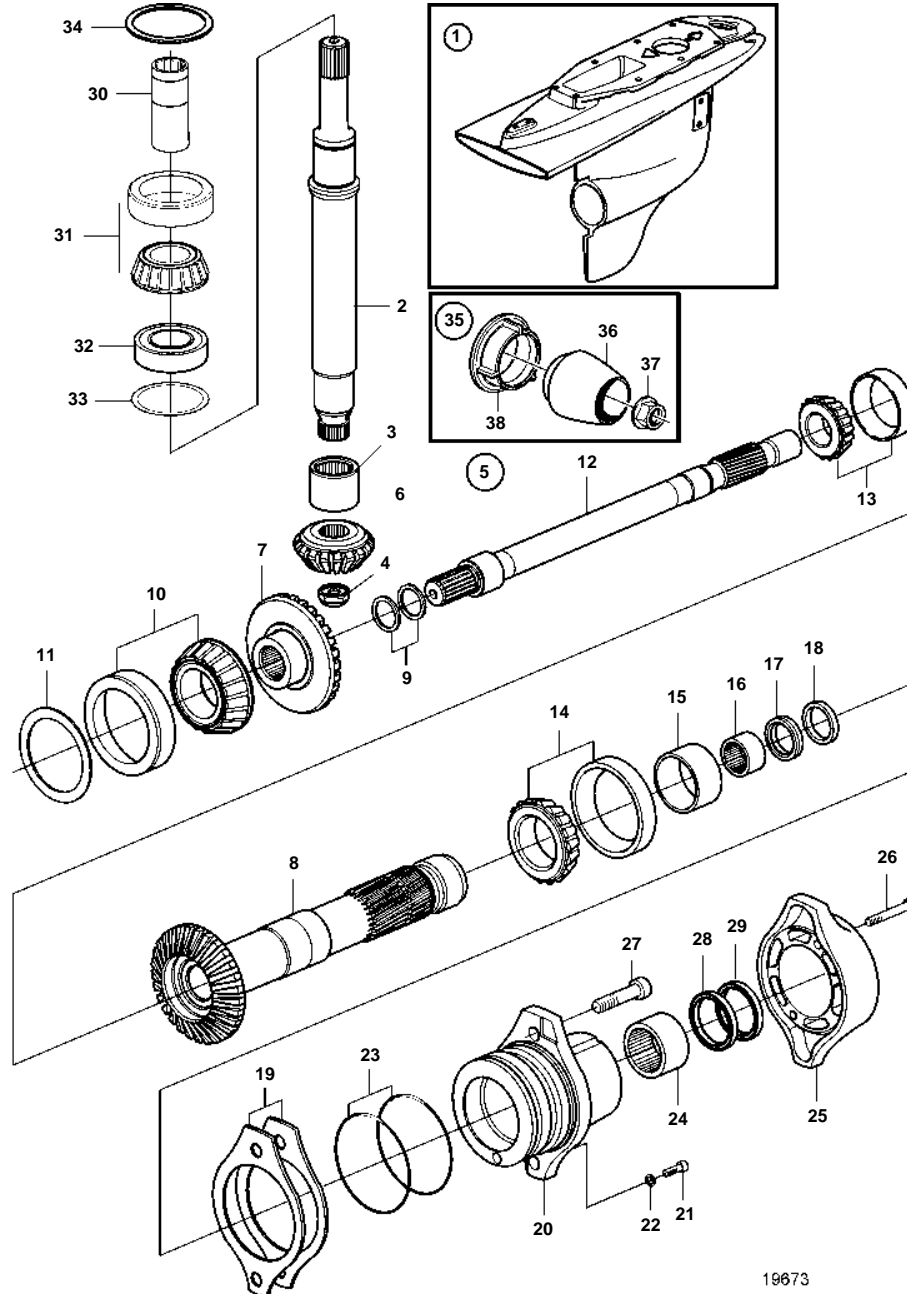


DPH-A



19673

DPH-A

REF	PART NO.	QTY	DESCRIPTION	NOTES
1	3862814	1	Gear under	RATIO 1.69:1
	3862815	1	Gear under	RATIO 1.76:1
	3862818	1	Gear under	RATIO 1.85:1
	3862819	1	Gear under	RATIO 2.08:1
2	3862389	1	• Countershaft	
3	184654	1	• Needle bearing	
4	3862390	1	• Nut	
5	3862391	1	• Gear set	RATIO 1.69:1
	3862396	1	• Gear set	RATIO 1.76:1
	3862401	1	• Gear set	RATIO 1.85:1
	3862406	1	• Gear set	RATIO 2.08:1
6		1	• • Pinion	Included in Gearset, 3862391. Ratio 1.69:1.
		1	• • Pinion	Included in Gearset, 3862396. Ratio 1.76:1
		1	• • Pinion	Included in Gearset, 3862401. Ratio 1.85:1.
		1	• • Pinion	Included in Gearset, 3862406. Ratio 2.08:1
7		1	• • Gear	Included in Gearset, 3862391. Ratio 1.69:1.
		1	• • Gear	Included in Gearset, 3862396. Ratio 1.76:1
		1	• • Gear	Included in Gearset, 3862401. Ratio 1.85:1.
		1	• • Gear	Included in Gearset, 3862406. Ratio 2.08:1
8		1	• • Gear	Included in Gearset, 3862391. Ratio 1.69:1.
		1	• • Gear	Included in Gearset, 3862396. Ratio 1.76:1
		1	• • Gear	Included in Gearset, 3862401. Ratio 1.85:1.
		1	• • Gear	Included in Gearset, 3862406. Ratio 2.08:1
9	3863063	X	• Shim	TH=2,85mm
	3863064	X	• Shim	TH=2,90mm
	3863065	X	• Shim	TH=3,00mm
	3863066	X	• Shim	TH=3,05mm
10	183765	1	• Roller bearing	
11	983158	X	• Shim	TH = 0,10mm
	983159	X	• Shim	TH = 0,15mm
	983160	X	• Shim	TH=0.35mm
12	3862423	1	• Driveshaft	
13	425784	1	• Roller bearing	
14	984222	1	• Roller bearing	
15	984225	1	• Inner ring	
16	183390	1	• Needle bearing	
17	3863080	1	• Sealing ring	
18	3863081	1	• Sealing ring	
19	3863320	X	• Shim	TH = 0,10mm
	3863321	X	• Shim	TH = 0,16mm
	3863322	X	• Shim	TH = 0,25mm
	3863323	X	• Shim	TH=0,40mm
20	3863098	1	• Bearing box	
21	984450	1	• Plug	
22	889455	1	• Washer	
23	925260	2	• O-ring	

DPH-A

REF	PART NO.	QTY	DESCRIPTION	NOTES
24	984224	1	• Needle bearing	
25	3863217	1	• Adapter	
26	984258	2	• Screw	L=40mm
27	984259	2	• Screw	L=40mm
28	3863082	1	• Sealing ring	
29	3863083	1	• Sealing ring	Sealing for water.
30	3862421	1	• Splined sleeve	
31	11065	1	• Roller bearing	
32	984223	1	• Ball bearing	
33	983152	X	• Shim	TH = 0,10mm
	983153	X	• Shim	TH = 0.15mm
	983154	X	• Shim	TH=0.35mm
34	977910	X	• Shim	TH = 0,10mm
	977911	X	• Shim	TH = 0.15mm
	977912	X	• Shim	TH=0.35mm
35	3807136	1	Propeller cone kit	
36		1	• Propeller cone	
37	3863213	1	• Propeller nut	REAR
38	3863211	1	Propeller nut	FRONT