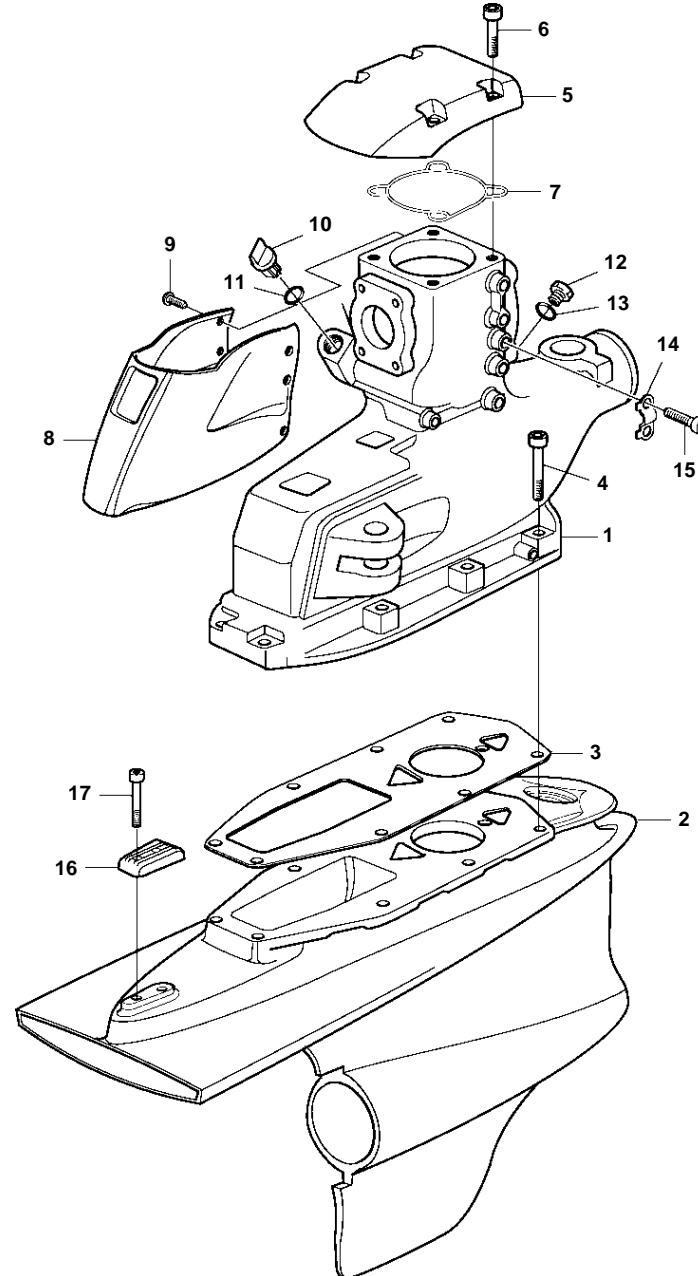


DPR-A



20049

DPR-A

| REF | PART NO. | QTY | DESCRIPTION | NOTES |
|-----|----------|-----|----------------------------|-----------|
| 1 | 3862787 | 1 | Gear housing | UPPER |
| 2 | 3862315 | 1 | Gear housing | LOWER |
| 3 | 3862249 | 1 | Gasket | |
| 4 | 984260 | 8 | Screw | L=18mm |
| 5 | 3809387 | 1 | Cover | (3862254) |
| 6 | 984257 | 4 | Screw | L=25mm |
| 7 | 3862252 | 1 | Sealing ring | |
| 8 | 3808265 | 1 | Cover | (3862364) |
| 9 | 984298 | 6 | Screw | L=20mm |
| 10 | 3817310 | 1 | Fitting | |
| 11 | 949656 | 1 | O-ring | |
| 12 | 984053 | 1 | Plug | |
| 13 | 964114 | 1 | O-ring | |
| 14 | 3862365 | 1 | Retainer | |
| 15 | 984298 | 2 | Screw | |
| 16 | 3589875 | 1 | Anode kit, zinc anode | |
| | 3589877 | 1 | Anode kit, magnesium anode | |
| | 3589876 | 1 | Anode kit, aluminum anode | |
| 17 | 984258 | 2 | Screw | |