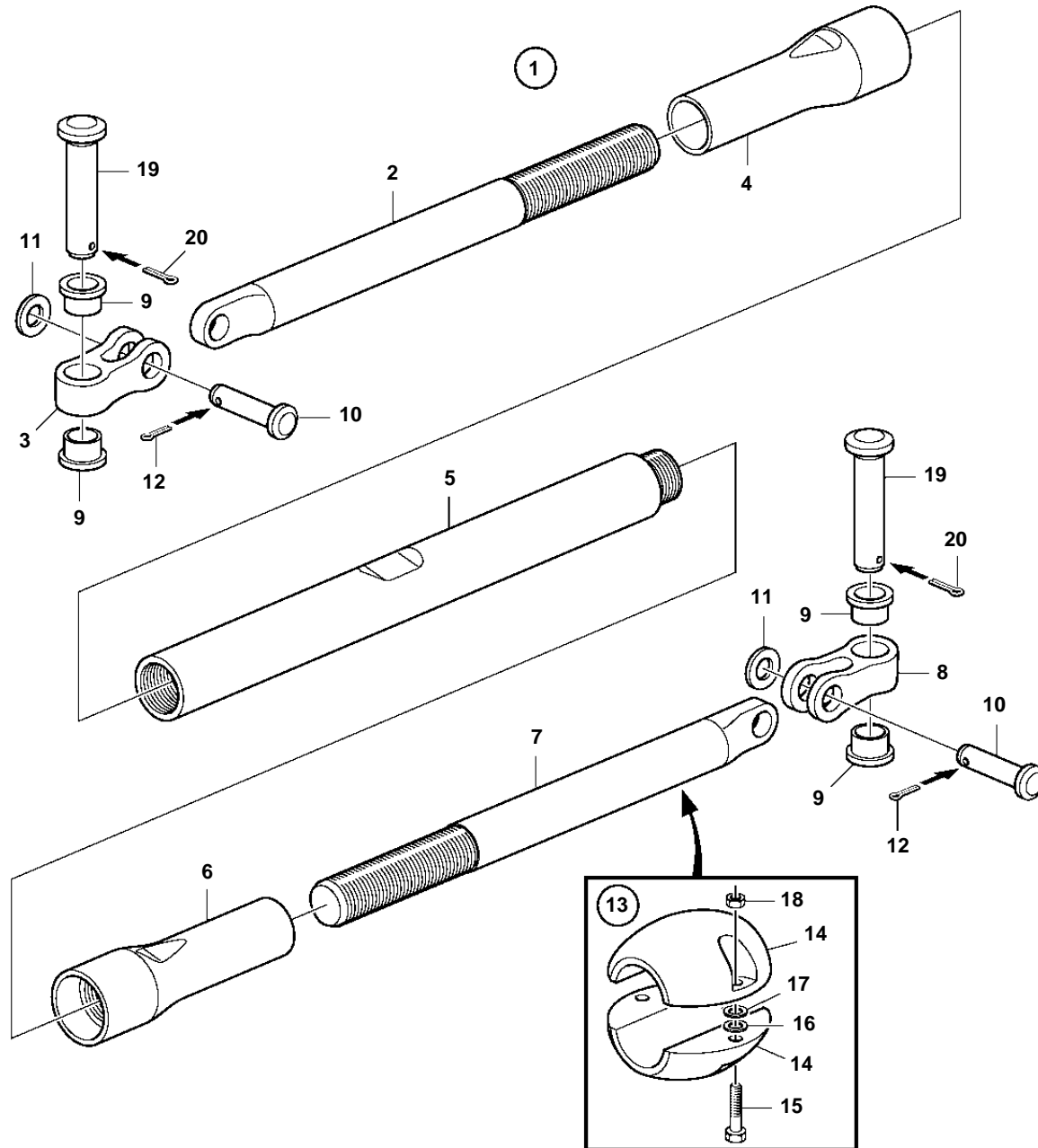


DPH, DPR



19686

DPH, DPR

REF	PART NO.	QTY	DESCRIPTION	
1	3863346	1	Attaching bar	
2	3863384	1	• Rod	
3	3863381	1	• Clevis pin	
4	3863382	1	• Collar	
5		1	• Adjusting bar	OP
6	3863383	1	• Collar	
7	3863404	1	• Rod	
8	3863381	1	• Clevis pin	
9	3863385	4	• Bushing	
10	3863393	2	• Pin	
11	943194	2	• Washer	
12	967707	2	• Cotter pin	
13	3807400	1	• Anode	
14		2	• • Anode	
15		2	• • Screw	
16		2	• • Washer	
17		2	• • Lock washer	
18		2	• • Nut	
19	3862188	2	Clevis pin	
20	967707	2	Cotter pin	