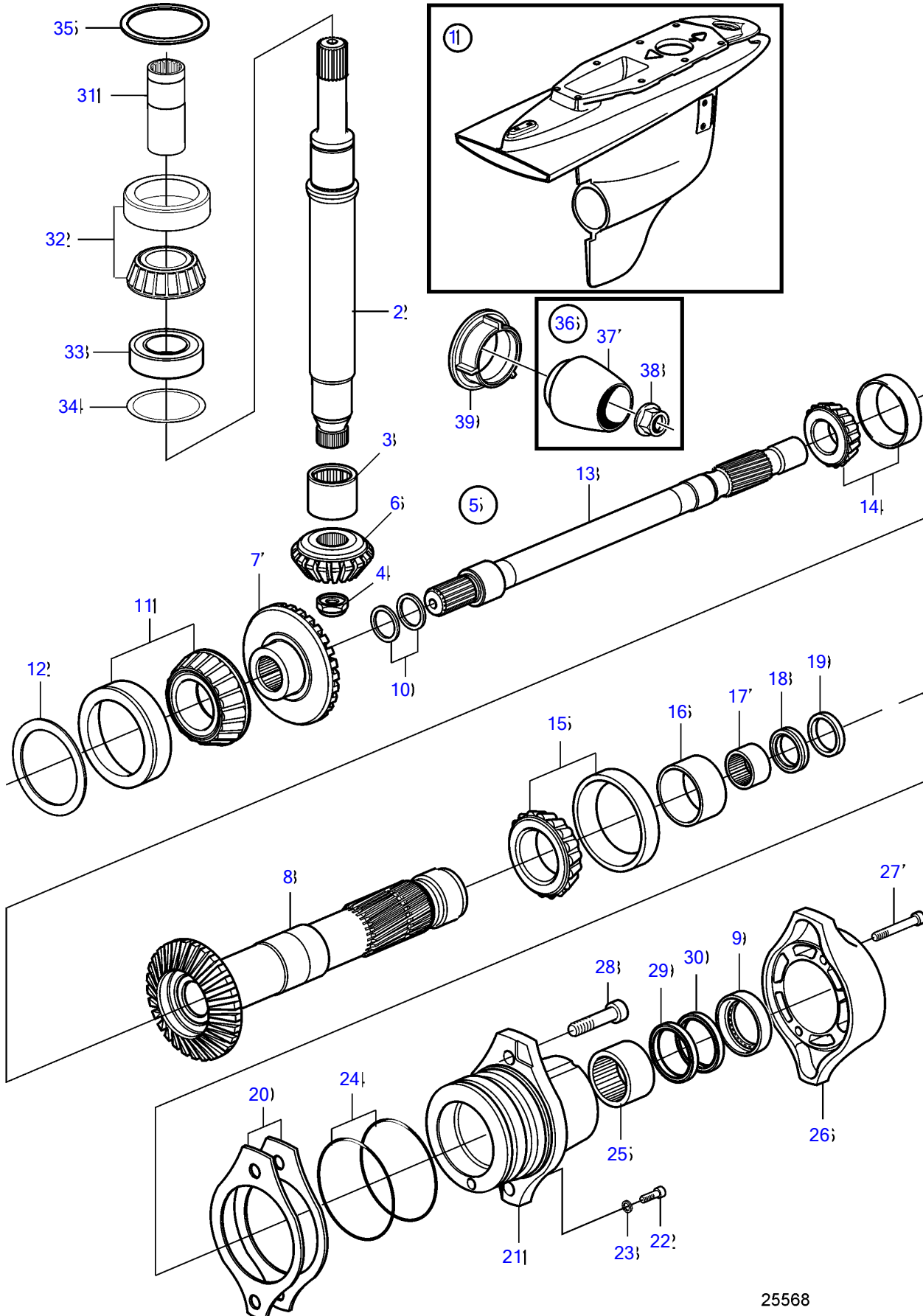


DPH-A, TSK DPH-B



25568

DPH-A, TSK DPH-B

REF	PART NO.	QTY	DESCRIPTION	NOTES
1	3888875	1	Lower gear	Ratio 1.63:1
	3801227	1	Lower gear, exch, exch	Ratio 1.63:1
	3862814	1	Lower gear	Ratio 1.69:1
	3801127	1	Lower gear, exch	Ratio 1.69:1
	3862815	1	Lower gear	Ratio 1.76:1
	3801128	1	Lower gear, exch	Ratio 1.76:1
	3862818	1	Lower gear	Ratio 1.85:1
	3801129	1	Lower gear, exch	Ratio 1.85:1
	3840457	1	Lower gear	Ratio 1.96:1
	3801171	1	Lower gear, exch, exch	Ratio 1.96:1
	3862819	1	Lower gear	Ratio 2.08:1
	3801130	1	Lower gear, exch, exch	Ratio 2.08:1
2	3862389	1	• Shaft	
3	184654	1	• Needle roller bushin	
4	3862390	1	• Nut	
5	3888876	1	• Gear set	Ratio 1.63:1
	3862396	1	• Gear set	Ratio 1.69:1
	3862391	1	• Gear set	Ratio 1.76:1
	3862401	1	• Gear set	Ratio 1.85:1
	3817156	1	• Gear set	Ratio 1.96:1
	3862406	1	• Gear set	Ratio 2.08:1
6			• • Pinion	Not sold separately
7			• • Gear	Not sold separately
8			• • Gear	Not sold separately
9	21243935	1	• Lock ring	
10	3863063	X	• Adjusting washer	TH=2.85mm
	3863064	X	• Adjusting washer	TH=2.90mm
	3863065	X	• Adjusting washer	TH=3.00mm
	3863066	X	• Adjusting washer	TH=3.05mm
11	183765	1	• Roller bearing	
12	983158	X	• Shim	TH=0.10mm
	983159	X	• Shim	TH=0.15mm
	983160	X	• Shim	TH=0.35mm
13	21856223	1	• Shaft	
14	425784	1	• Roller bearing	
15	984222	1	• Roller bearing	
16	984225	1	• Inner ring	
17	183390	1	• Needle roller bushin	
18	3863080	1	• Sealing ring	
19	3863081	1	• Sealing ring	
20	3863320	X	• Shim	TH=0.10mm
	3863321	X	• Shim	TH=0.16mm
	3863322	X	• Shim	TH=0.25mm
	3863323	X	• Shim	TH=0.40mm
21	3863098	1	• Bearing box	
22	984450	1	• 6 point socket screw	Oil drain plug
23	889455	1	• Gasket	Oil drain plug
24	925260	2	• O-ring	
25	984224	1	• Needle roller bushin	
26	21434619	1	• Adapter	
27	984258	2	• 6 point socket screw	L=40mm
28	984259	2	• 6 point socket screw	L=40mm
29	3863082	1	• Sealing ring	
30	3863083	1	• Sealing ring	
31	3862421	1	• Splined sleeve	
32	11065	1	• Roller bearing	
33	984223	1	• Ball bearing	
34	983152	X	• Shim	TH=0.10mm
	983153	X	• Shim	TH=0.15mm
	983154	X	• Shim	TH=0.35mm
35	977910	X	• Shim	TH=0.10mm
	977911	X	• Shim	TH=0.15mm
	977912	X	• Shim	TH=0.35mm

7744790-44-6307

25568

Upd:2015-04-13

