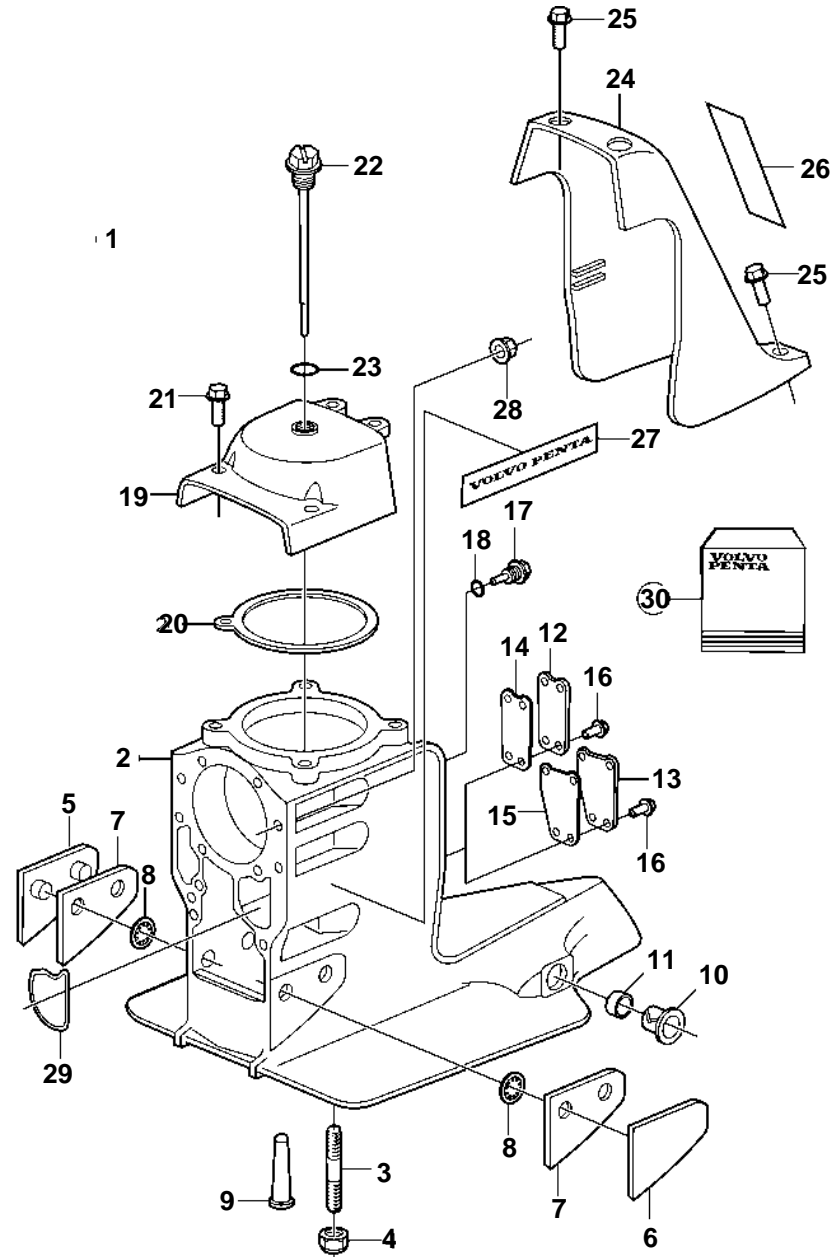


DP-SM 2.32



## DP-SM 2.32

REF	PART NO.	QTY	DESCRIPTION	NOTES
1	3857010	1	Upper gear unit	COMPLETE
2	3855775	1	Gear housing	
3	941814	4	· Stud	DP-S
4	941885	4	· Nut	DP-S
5	3852562	1	Thrust plate	EARLIER PROD
	3589524	1	Plate	LATER PROD
6	3852561	1	Thrust plate	EARLIER PROD
	3589522	1	Plate	LATER PROD
7	3852563	X	Shim	Not used on later versions.
8	3852516	4	Ring retainer	Not used on later versions.
9	3854021	1	Strainer	
10	3853423	2	Bushing	
11	3853424	2	Grommet	
12	3852280	1	Plate	EARLIER PROD
13	3812478	1	Plate	LATER PROD
14	3852279	1	Gasket	EARLIER PROD
15	3812476	1	Gasket	LATER PROD
16	3852373	4	Screw	
17	3854539	1	Plug	
18	3855081	1	· O-ring	
19	3854401	1	Bearing cover	
20	3852317	1	Gasket	
21	3852454	4	Screw	
22	3854847	1	Oil dipstick	
23	3852045	1	O-ring	
24	3852418	1	Cover	
25	3852568	3	Screw	
26	3858670	1	Decal	Volvo Penta SX
	3855360	1	Decal	SX Diesel
	3855647	1	Decal	DP Duoprop
27	3858671	2	Decal	Volvo Penta
	3857580	2	Decal	SX Diesel
	3857582	2	Decal	DP Duoprop
28	3853329	6	Nut	
29	3852560	1	Seal	
30	3850594	1	Sealing kit	