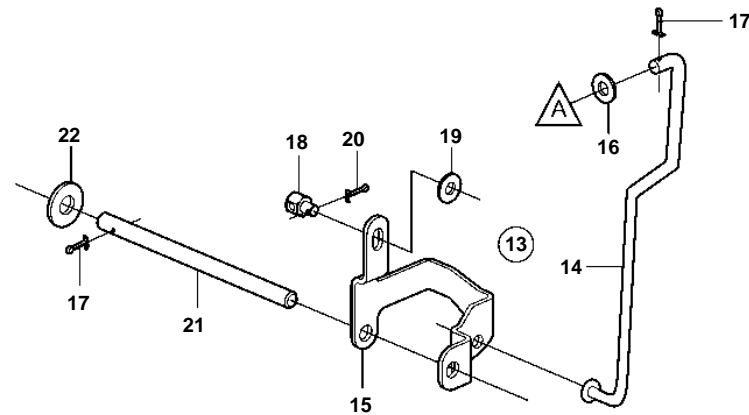
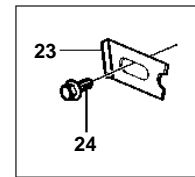
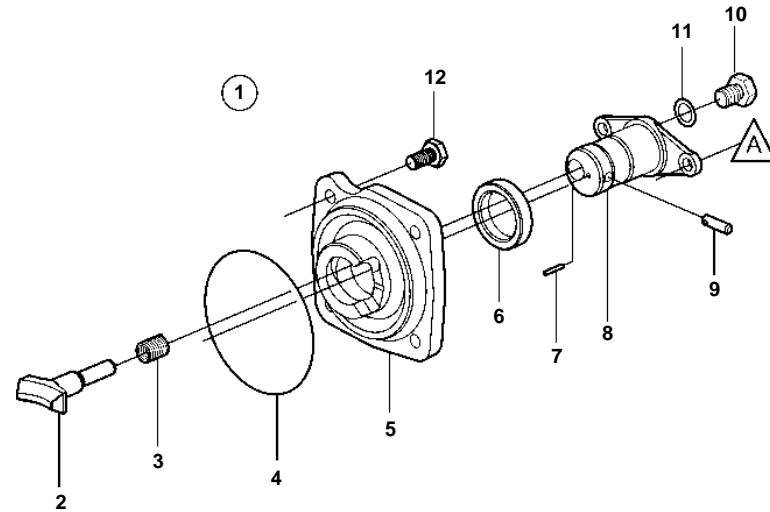


DP-SM, DP-SMTD, DP-SMTD1, DP-SMTD3



DP-SM, DP-SMTD, DP-SMTD1, DP-SMTD3

REF	PART NO.	QTY	DESCRIPTION
1	3855787	1	Shift mechanism
2	3856502	1	· Shoe
3	814184	1	· Spring
4	925093	1	· O-ring
5	3855785	1	· Bearing housing
6	853868	1	· Sealing ring
7	973593	1	· Pin
8	3856008	1	· Eccentric piston
9	942871	1	· Pin
10	897711	1	· Screw
11	897871	X	· Shim
12	3856742	4	Screw
13	3857460	1	Link rod kit
14		1	· Rod
15		1	· Bracket
16	3852193	1	Washer
17	3852052	2	Cotter pin
18	3852329	1	Cube
19	3852193	1	Washer
20	3854480	1	Cotter pin
21	3852277	1	Rod
22	3852083	1	Washer
23	3809477	1	Retainer, shift cable
24	3852006	1	Screw