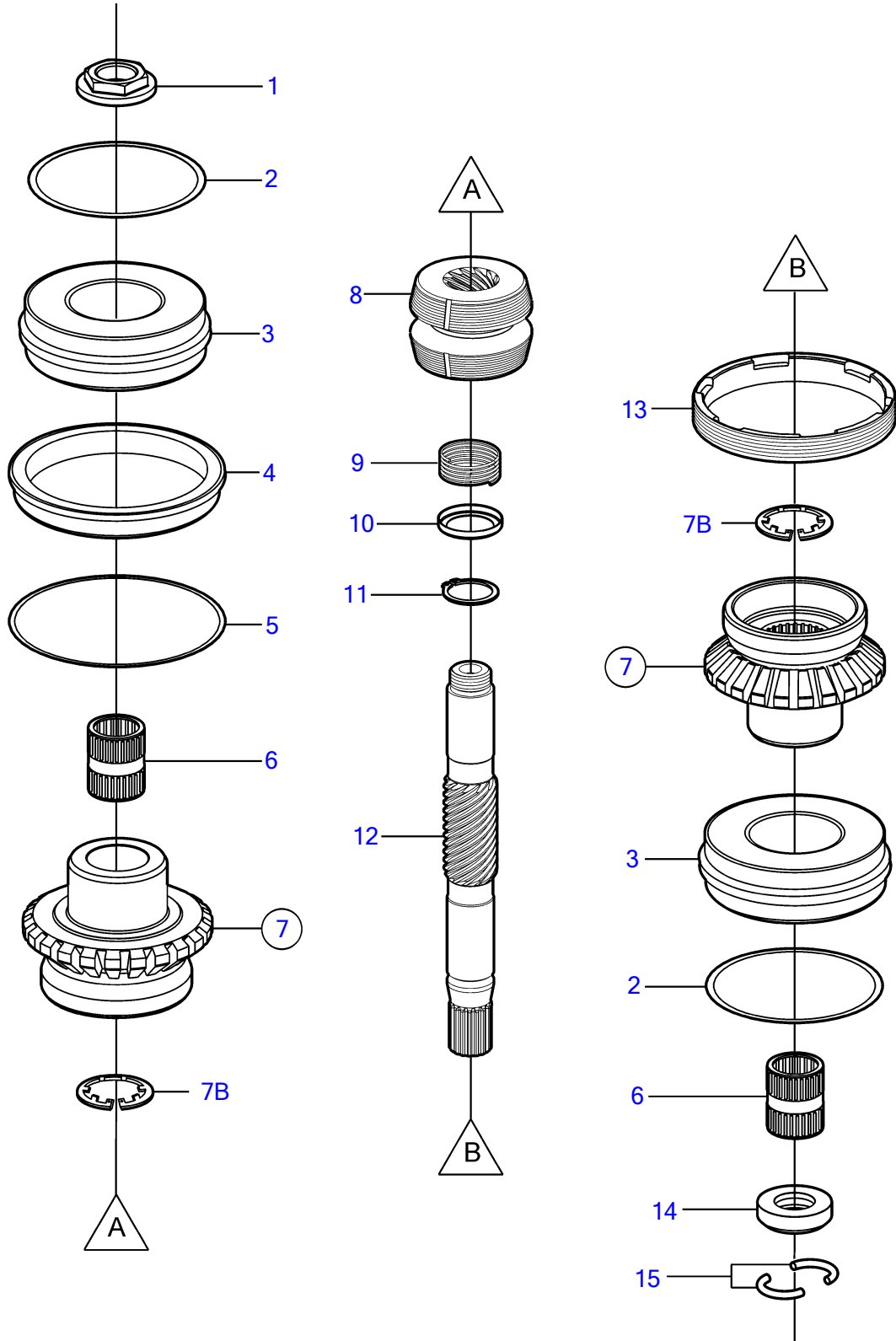


DP-SM 1.68, DP-SM 1.78, DP-SM 1.95, DP-SMTD 1.95, DP-SMTD1 1.95



DP-SM 1.68, DP-SM 1.78, DP-SM 1.95, DP-SMTD 1.95, DP-SMTD1 1.95

REF	PART NO.	QTY	DESCRIPTION	SEE SEC.	NOTES
1	3852301	1	Nut		TH=0.00
	3852302	1	Nut		TH=0.20mm
	3852303	1	Nut		TH=0.40mm
	3852375	1	Nut		TH=0.60mm
2	3852368	1	Shim		TH=0.002"
	(3852369)	1	Shim		Obsolete part, TH=0.003"
	3852370	1	Shim		TH=0.004"
	3852371	1	Shim		TH=0.005"
	3852372	1	Shim		TH=0.010"
3	3857176	2	Kit		
4	3852269	1	Ring		
5	3852363	1	Shim		TH=0.002"
	3852364	1	Shim		TH=0.003"
	(3852365)	1	Shim		Obsolete part, TH=0.004"
	3852366	1	Shim		TH=0.005"
	3852367	1	Shim		TH=0.010"
6	3852390	2	Bearing		
7	3851203	1	Gear		replaced by next part number
	21130692	1	Kit		Contains gear set, sliding sleeve
7B	190356	2	• Snap ring		
8	3855783	1	Sliding sleeve		replaced by next part number
			• Bulletin P-44-1-18	P-44-1-18-EN	Shift Cone
8	3807613	1	Sliding sleeve		
9	3852296	1	Spring		Not used on later versions.
10	3852298	1	Spacer		Not used on later versions.
11	951078	1	Snap ring		Not used on later versions.
12	3852292	1	Shaft		
13	3852262	1	Ring		
14	3852294	1	Ring		
15	3852295	2	Locking clip		

7746010-44-7931

19619

Upd:2014-05-27

DP-SM, DP-SM 1.68, DP-SM 1.78, DP-SM 1.95, DP-SM 2.32, DP-SMTD 1.95, DP-SMTD1 1.95, DP-SMTD3 2.11

VOLVO
PENTA