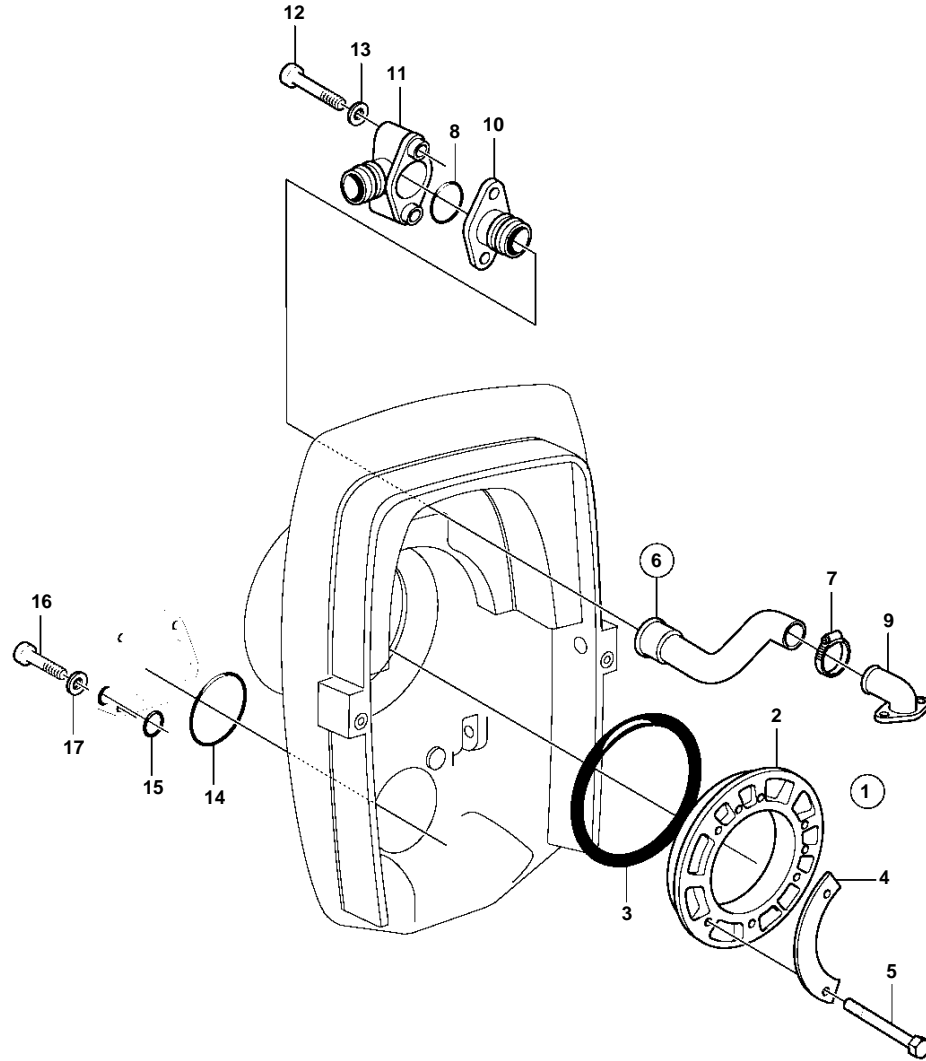


DP-G



DP-G

| REF | PART NO. | QTY | DESCRIPTION | NOTES |
|-----|----------|-----|-------------------|-------------------------|
| 1 | | 1 | Clamping ring kit | See catalog for engine. |
| 2 | | 1 | · Clamping ring | See catalog for engine. |
| 3 | | 2 | · Ring | See catalog for engine. |
| 4 | 806624 | 3 | · Striker plate | |
| 5 | 191844 | 6 | · Screw | |
| 6 | 876632 | 1 | Hose kit | |
| 7 | 853548 | 1 | · Hose clamp | |
| 8 | 925064 | 1 | · O-ring | |
| 9 | 872752 | 1 | Hose connection | |
| 10 | 872334 | 1 | Nipple | |
| 11 | 872338 | 1 | Hose nipple | |
| 12 | 955516 | 2 | Screw | |
| 13 | 955893 | 2 | Washer | |
| 14 | 925256 | 1 | O-ring | |
| 15 | 925064 | 2 | O-ring | |
| 16 | 947790 | 4 | Flange screw | |
| 17 | 976945 | 4 | Washer | |