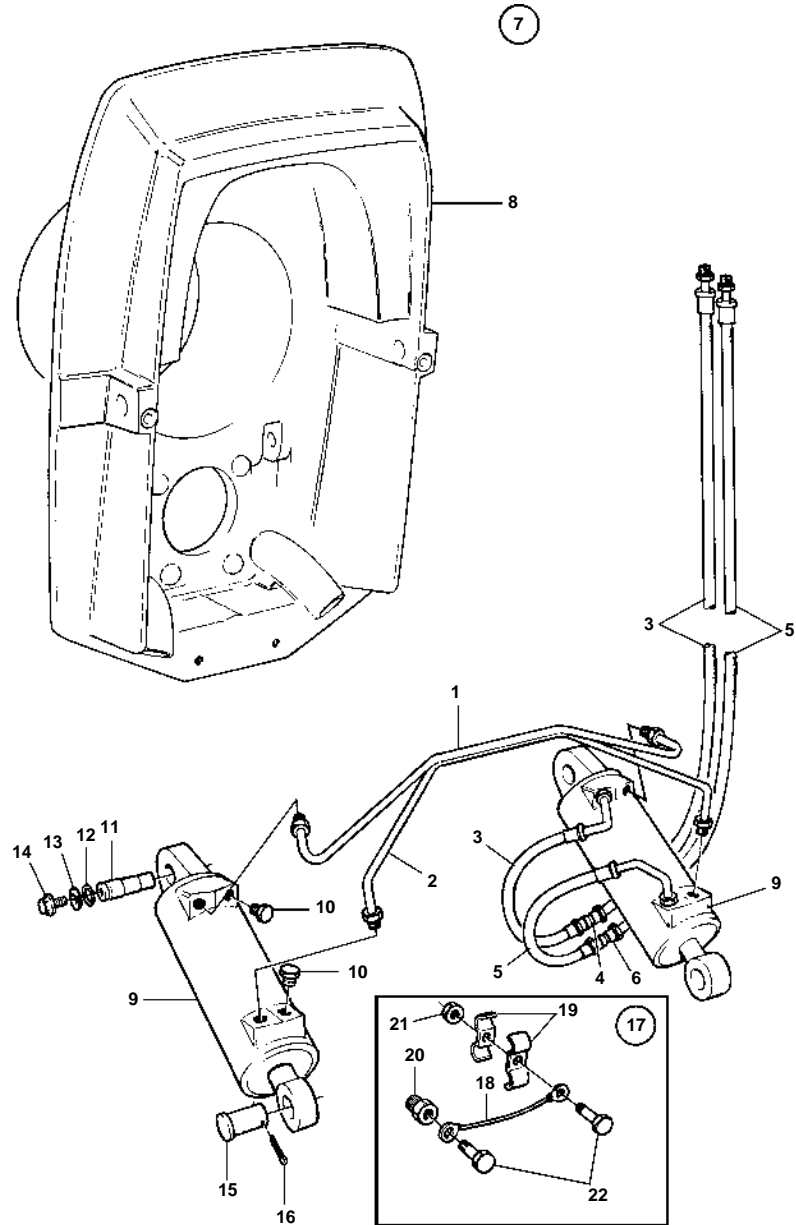


DP-E, SP-E



DP-E, SP-E

REF	PART NO.	QTY	DESCRIPTION	SEE SEC.
1	854696	1	Tube	
2	854697	1	Tube	
3	873228	1	Hydraulic hose	
4	960214	1	· O-ring	
5	873229	1	Hydraulic hose	
6	960214	1	· O-ring	
7	3856809	1	Shield	
8		1	· Shield	7304
9	3860881	2	Trimming cylinder	
10	852879	2	· Plug	
11	872382	2	Pin	
12	925053	2	O-ring	
13	853059	2	Washer	
14	853060	2	Flange screw	
15	872126	2	Clevis pin	
16	967707	2	Cotter pin	
17	854625	1	Ground cable, assy.	
18		1	· Ground cable	
19	854628	2	· Clamp	
20	872207	1	· Nipple	
21	944456	1	· Nut	
22	963545	2	· Screw	